

High power LED flood-light wall washer cob type

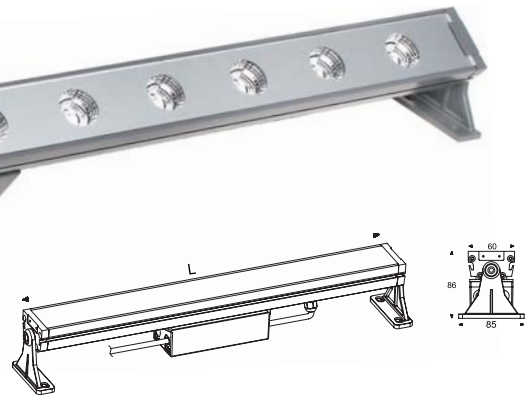
RoHS CE IP65



AR6FB1224A



AR6FB0624A



The application of gear enables fixture to fit bracket perfectly.



High voltage input type back view

Specifications

Housing	Extruded aluminum, powder coated
Bracket	12" Die-casting powder coated aluminum .
Glass	Tempered glass, T=3mm
Reflector	Optical Reflector efficiency ≥90%
Cable gland	PVC IP-68 PG-9
Gasket	Glass and housing are silicone sealed
LED	Multi chip on board COB LED
Operating temperature	-20℃ ~ 40℃
Power cable	Input: L=0.3M H05RN-F 3×1.0mm ² + waterproof plug connector Output: L=0.5M H05RN-F 3×1.0mm ² + waterproof socket connector

Item No.	Light source	The manufacturer selected reflector	Degree (°)	Length L (mm)	Input voltage (v)	Typical operating current(mA)	Typical consumption(w)	Typical luminance (lm)	IK rate
AR6FB0624A	COBLED 6×4W	R6	24	500	120/240	120V=261 240V=150	120V=31 240V=33	Cool white=1100 Warm white=920	05
AR6FB1224A	COBLED 12×4W	R6	24	1003	120/240	120V=565 240V=265	120V=65 240V=66	Cool white=2140 Warm white=1925	05