



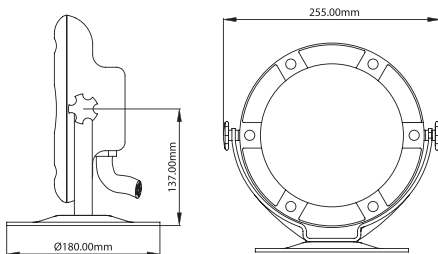
LED Aqua II (Power LED RGB)

LED Aqua II (Power LED RGB) is a energy savings underwater LED lighting fixture which utilizes high power 1W (RGB) LEDs as the light source. The LED Aqua II offers high power RGB full color mixing LED illumination for applications such as fountain, pond, water feature illumination, and any application with direct or indirect constant water immersion.

LED Aqua II can be controlled in standalone mode using the SRC-AI-100 or via DMX-512 using the SRC-AI-100 to write the DMX Address to the fixture and then connected with any standard DMX-512 controller through the distribution box.



Dimensional Diagram



* Neo-Neon Showroom.

Specifications

Item NO.	LU-UW-PC-DIA220-24V-PI
LED color range	RGB 16.7 Million
Light source	18 High power LED (R6,G6,B6)
Beam angle	25°
Data interface	DMX compatible (RS485 connector)
DMX Channels	3
Control	DMX-512 or Simple Controller SRC-AI-100
Control system	DMX console + switching power supply (or SRC-AI-100 Address Writer), synchronization controller + switching power supply
DMX Address Setting	SRC-AI-100 Address Writer
Fixture Housing	Stainless Steel (A) or Die Cast Aluminum (B) Add A or B to the end of the part number for material type
Connector	3-pin power & signal connector

Electrical Specifications

Voltage rated	24V DC
Power consumption	24W
IP rating	IP68

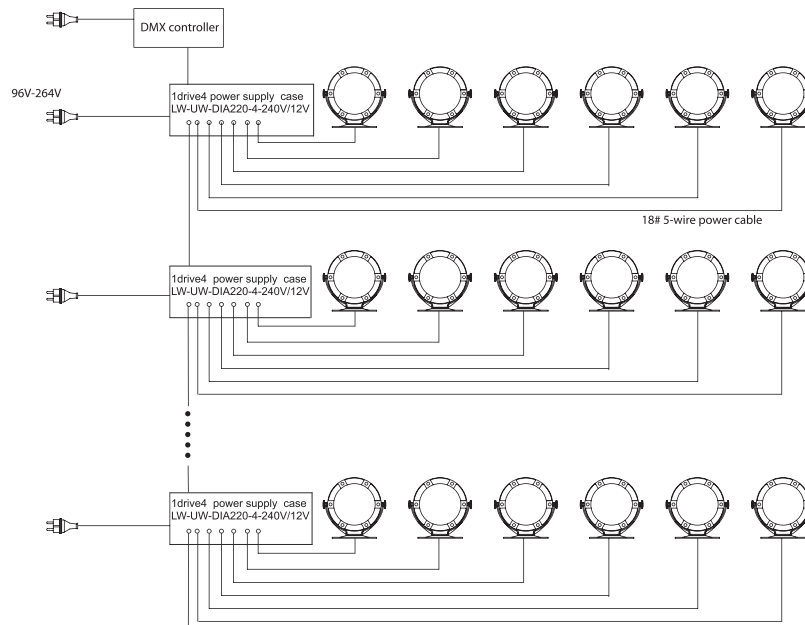
Environmental Specifications

Operating temperature	-20°C~40°C
Submersion depth	-400-2000mm Below Water Surface
Sustainable pressure	0.0533T/mm ²
Dimensions	L255xW180xH245.4MM



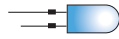
UNDERWATER LUMINAIRES AND POOL LIGHTING SERIES

Connection Example (High Power Input 24V Out Version)



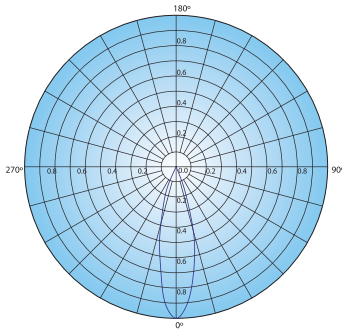
141 Cassia Way STE. C
Henderson, NV 89014
Ph. 702.568.8742 * 800.700.5483
Fax 702.568.8753
www.LEDLINC.com

This fixture must be installed by a qualified electrician. **LED** is not responsible if its fixture are not installed according to local safety standards. Please leave a copy of these instructions for the person responsible for the maintenance of the installation.



UNDERWATER LUMINAIRES AND POOL LIGHTING SERIES

Candle Power Distribution



Testing Circumstance

Installation position: Horizontal
Testing surface: A-A surface

Electrical Parameters

Current: 0.253 A
Voltage: 24V
Power consumption: 24W

Testing Result

Max. luminous intensity: 1022.806cd
Luminous flux: 370.7Lm
Efficacy: 11.029lm/w
Beam angle: 25°
Remark: Standard voltage 220V power

DMX Control System DMX Controller (sold separately)
 SRC-AI-100 Address Writer
 (sold separately)

Standalone Control System SRC-AI-100

The SRC-AI-100 is both an address writer to write the DMX address to the internal EPROM on the fixture as there is no DMX addressing system on the exterior of the fixture. Additionally the SRC-AI-100 acts as a stand-alone controller with built in color changing and effect programs. For more information on the SRC-AI-100 see Control Section of this catalog.

Due to the limitation of the type set, this catalog's specifications for each fixture may not be shown. For more information on other models please contact your LED Sales Associate.

Illuminance Distribution

60.1	70.4	83.4	104.0	117.7	124.3	108.6	90.3	74.9	63.7	0.5M
76.2	97.5	155.1	248.6	314.0	308.4	240.2	153.3	129.1	77.6	
101.9	163.6	320.6	593.5	751.4	684.1	473.8	265.4	149.5	94.4	
136.4	269.2	629.9	1047.7	1242.0	1157.9	829.9	475.7	220.6	118.7	
156.1	370.1	801.9	1255.1	1619.6	1535.5	1114.0	630.8	281.3	141.1	0M
147.7	329.9	746.7	1205.6	1296.0	1528.9	1129.9	680.4	298.1	142.1	
128.9	237.4	529.9	923.4	1203.7	1213.1	943.9	542.9	246.7	120.6	
103.7	154.2	291.6	550.5	752.3	761.7	567.3	306.5	144.9	92.5	
89.7	112.1	152.3	240.2	317.8	315.9	214.9	135.5	93.5	71.0	
72.9	86.9	100.9	116.8	129.9	121.5	101.9	81.3	67.3	57.0	0.5M

Units: Lux
Color: White
Direction: On axis
Testing distance: 1m
Multipliers: 0.115 Red, 0.378 Green, 0.506 Blue

Illuminance

Distance(m)	1	2	3	4	5
White	1724.3	456.1	208.4	118.1	74.6
Red	213.1	57.0	27.1	15.2	9.3
Green	700.9	185.9	85.9	47.9	30.4
Blue	937.4	242.9	110.3	62.4	40.4

Unit: Lux
Direction: On axis

Refer to Control Section
Refer to Control Section



* Neo-Neon Showroom, Jiangmen, P.R. China

* Neo-Neon Showroom.



141 Cassia Way STE. C
Henderson, NV 89014
Ph. 702.568.8742 * 800.700.5483
Fax 702.568.8753
www.LEDLINC.com

This fixture must be installed by a qualified electrician. LED is not responsible if its fixture are not installed according to local safety standards. Please leave a copy of these instructions for the person responsible for the maintenance of the installation.