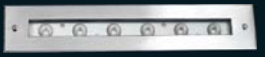


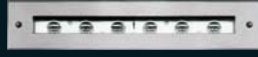
Recessed linear inground & wall washer



RGB 5C type



AB2BL0635A
AB2BL0605A



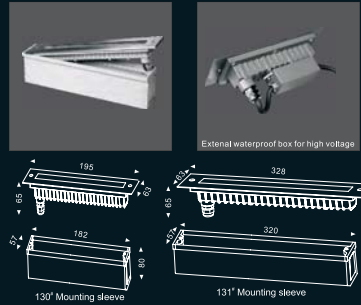
AC2BL0635A
Asymmetrical



AB2BL0335A
AB2BL0305A



AC2BL0335A
Asymmetrical



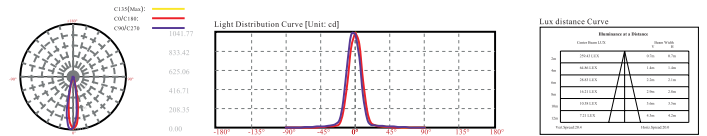
Specifications

Housing	12" Die-casting grey powder coated aluminum .T=80-80µm.
Front cover	Stainless steel SUS 316L
Glass	Step tempered glass. T=6mm
Loading capacity	Exert force area of 2BL03 : Ø10=514kgs 2BL06 : Ø10=323kgs
Cable gland	IP48 PG-9 copper and nickel coated
Gasket	Molding shaped silicone seal
PCB	Excellent heat conductivity aluminum, coefficient of heat Conductivity >=2.0w/mk
Driver	Constant current output Single color LED=1-circuit output RGB 3in1 LED=3-circuit output
Operating temperature	-20°C~40°C
Power cable	H05RN-F 2X1.0mm ² L=0.5m (for Single color) H05RN-F 3X1.0mm ² L=0.5m (high voltage) H05RN-F 5X0.75mm ² L=0.5m (for RGB)
Mounting sleeve	131. 130 Powder coated aluminum

Item No.	Light source	Suitable lens	The manufacturer selected lens/degree (°)	Weight	Input voltage (v)	Typical operating current(mA)	Typical consumption(w)	Typical luminance (lm)	IK rate
AB2BL0635A	6×1W	B27	13	1.4	24VDC 120/240	24V=320 120V=86 240V=64	24V=7.6 120V=6.3 240V=6.8	Cool white=320 Warm white=270	08
AB2BL0605A	6×1.5W RGB 3in1	B2	20	1.4	24V DC	R=120 G=148 B=145	10	110	08
AB2BL0335A	3×1W	B27	13	0.85	24VDC 120/240	24V=131 120V=43 240V=27	24V=3.05 120V=3.1 240V=3.2	Cool white=150 Warm white=141	08
AB2BL0305A	3×1.5W RGB 3in1	B2	30	0.85	24V DC	R=50 G=72 B=72	4.6	56	08
AC2BL0635A	6×1W	C5	45 35	1.4	24VDC 120/240	24V=320 120V=86 240V=64	24V=7.6 120V=6.3 240V=6.8	Cool white=320 Warm white=270	08
AC2BL0335A	3×1W	C5	45 35	0.85	24VDC 120/240	24V=131 120V=43 240V=27	24V=3.05 120V=3.1 240V=3.2	Cool white=150 Warm white=141	08



Graphical Representation for AB2BL0335A warm white light



Graphical Representation for AC2BL0335A warm white light

