

LED

LIGHTING & ELECTRONIC DESIGN

PART #: IGL-XXXXX-XX

Catalog #		Type
Projects		
Comments		Date
Prepared By		

LED's **IN-GROUND LITE SERIES™** is an optimized linear LED light system designed for traditional in-ground low-voltage applications. Available in 12V DC and 24V DC, with low power consumption at 1.7W, it provides maximum efficiency and long life. LED's **IN-GROUND LITE SERIES™** is IP67 rated; making it suitable for wet outdoor environments where weather and humidity are present. This fixture is available in cool and warm white, as well as blue color, for maximum brightness and visibility!



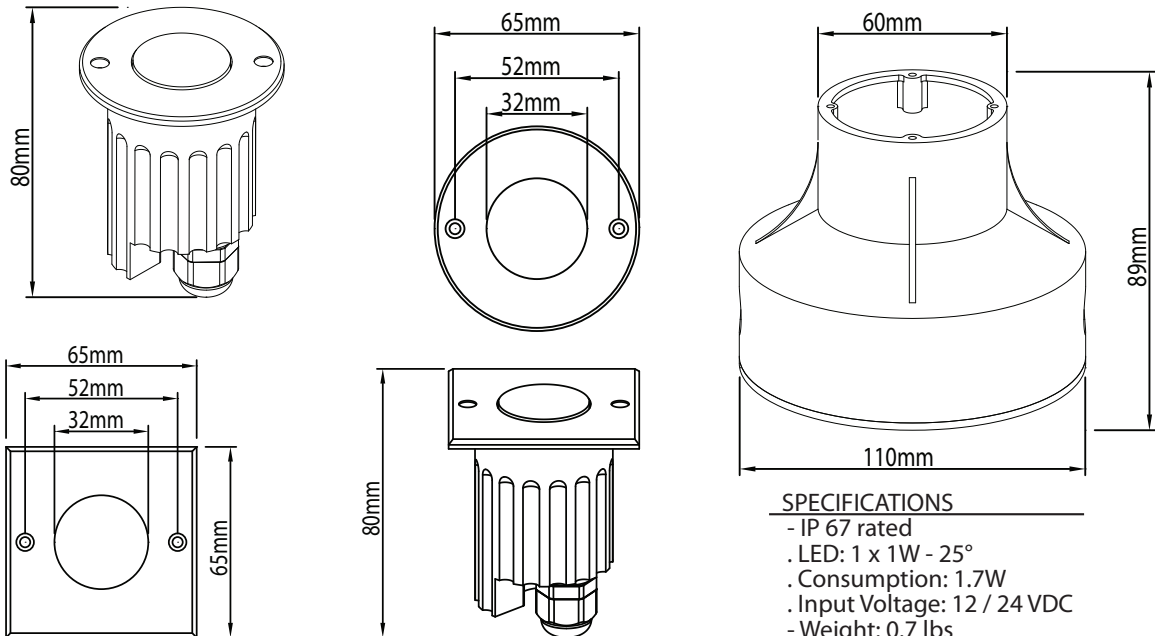
FEATURES:

- Available in low voltage 12 or 24 VDC
- Exceptional Long Life (50,000+ hours)
- IP 67 RATED
- Low power consumption at 1.7W
- Available in cool white, warm white & blue

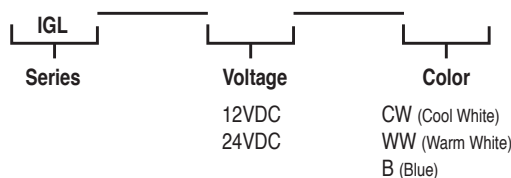
APPLICATIONS:

- Outdoor In-Ground Architectural Lighting
- Outdoor Exhibit Lighting
- Outdoor Spot Lighting
- Landscape In-Ground Lighting
- Outdoor In-Ground Step Lighting
- Outdoor In-Ground Path Lighting

DIAGRAMS:



Ordering Information:



Ordering Example: IGL-12VDC-CW