

# In Ground Round Module

## K2-LED 3x4W

**LED** www.LEDLINC.com

### Material & Character

Import Polycarbonate or ABS prismatic LENS, Aluminium alloy  
Suitable Place:  
Emporium hall, station, workshop, supermarket, warehouse and so on.

### Basic Information

Model No: IGCNE-35\_3K2\_L/H

Weight : 1470g

Dimension :  $\Phi 143 \times 90$ (H)mm

Application :

Outdoor Commercial and Residential Architectural lighting

### Technical Information

Cap Base : In Ground Round Module

LED Constant Current : 1000mA

Watt(W): 4Wx3

Volt(V) : 90~240Vac & 12Vac/dc, 24Vdc

Line Frequency (Hz) : 50/60Hz

Correlated Color Temperature(CCT): 4500K~8000K [White]

Correlated Color Temperature(CCT): 3000K~3800K [WarmWhite]

LED color: White, WarmWhite, R, G, B, .....

Illuminance : 35mm Spot 8614cd Flood 1986cd Lux/1m (12W)

Housing Color: Stainless steel

LENS Material : PMMA

Tc : 85°C max.

Operational Temperature : 50°C max.



**K2-LED Lamps**



**We use LUXEON LED**

## LED Driver 1000mA Constant Current

H-TYPE: AC to DC, Constant Current Power Supply 25Watts(Max)

L-TYPE: DC to DC, Constant Current Power Supply 24Watts(Max)

Specifications :

H-TYPE: Input Range : 90~263Vac, 47Hz~63Hz

Input Current: 0.4A MAX, AT 115Vac & 230Vac, FULL LOAD

DC Output Range : MIN-12Vdc MAX-24Vdc (1000mA)

L-TYPE: Input Range : 12Vac, 24Vdc

DC Output Range : MIN-8Vdc MAX-24Vdc (1000mA)

Efficiency : 85% Typical at maximum load

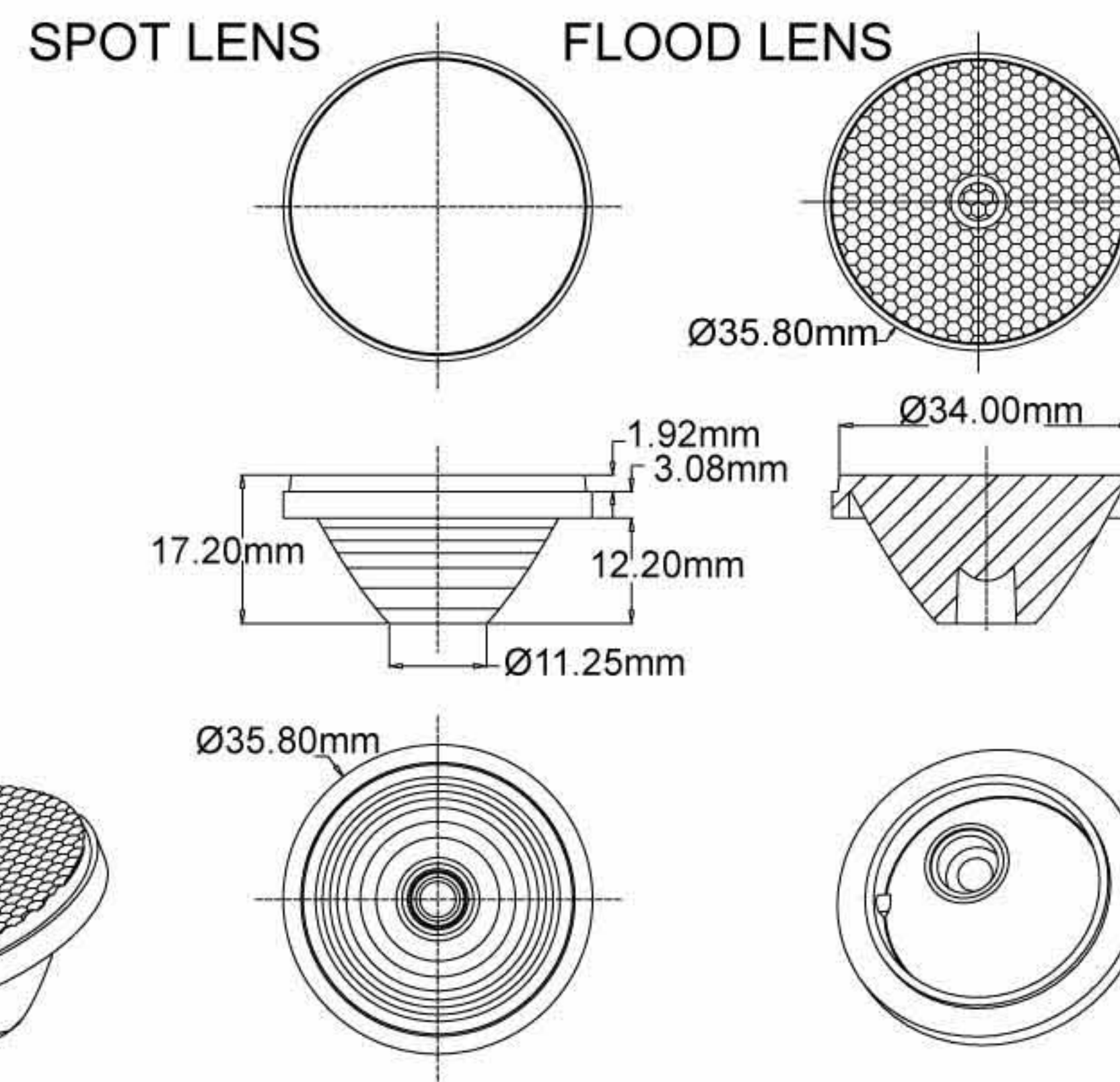
Output Current Regulation :  $\pm 5\%$

Protection : SCP - Auto Recovery

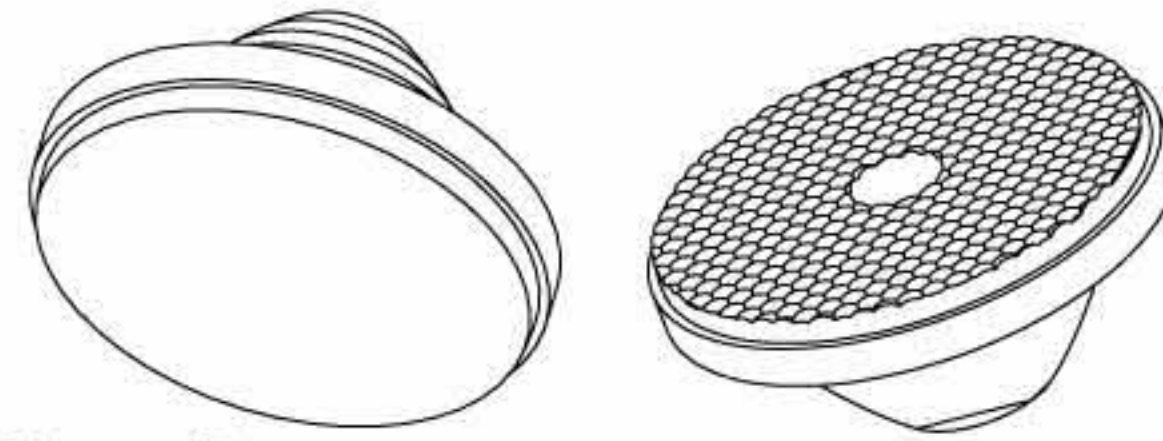
Operation Temp. : -20°C ~ +70°C

Storage Temp. : -40°C ~ +85°C

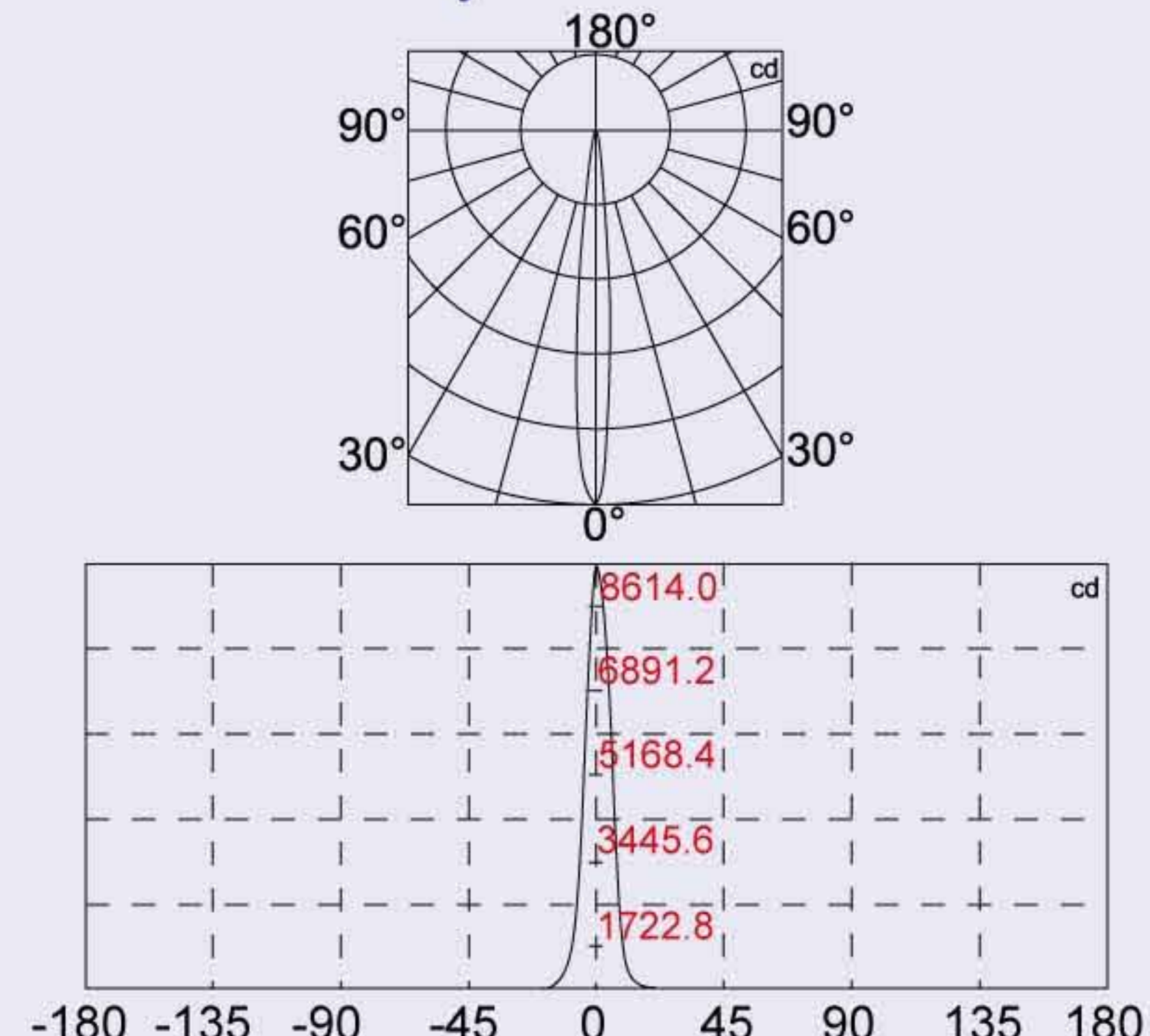
EMI Standards: 47CFR, Part 2, Part 15 and Cispr PUB, 22 Class B



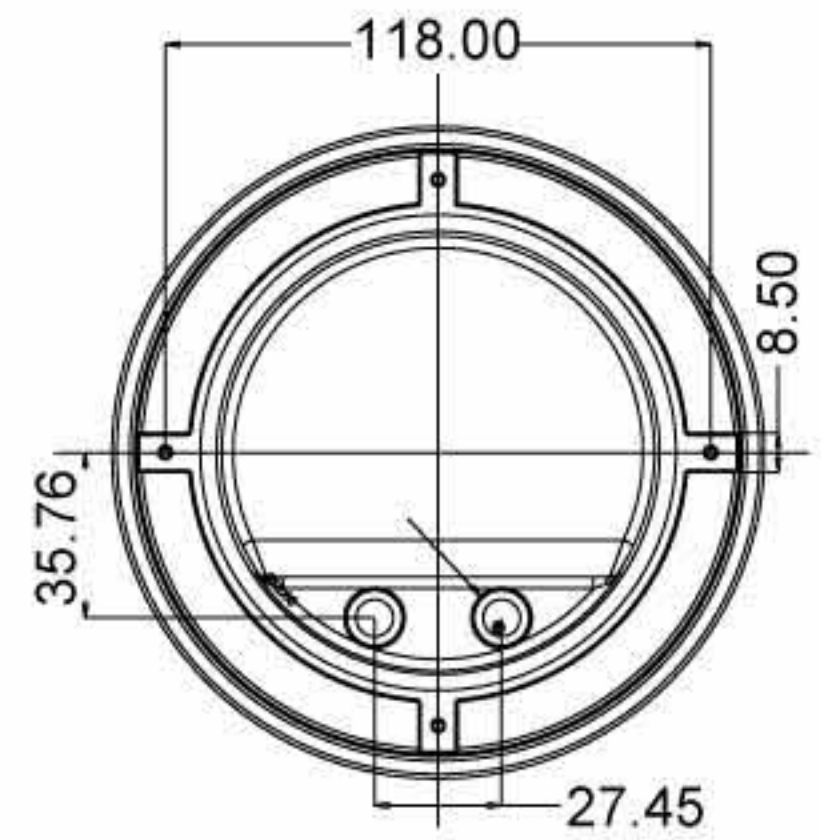
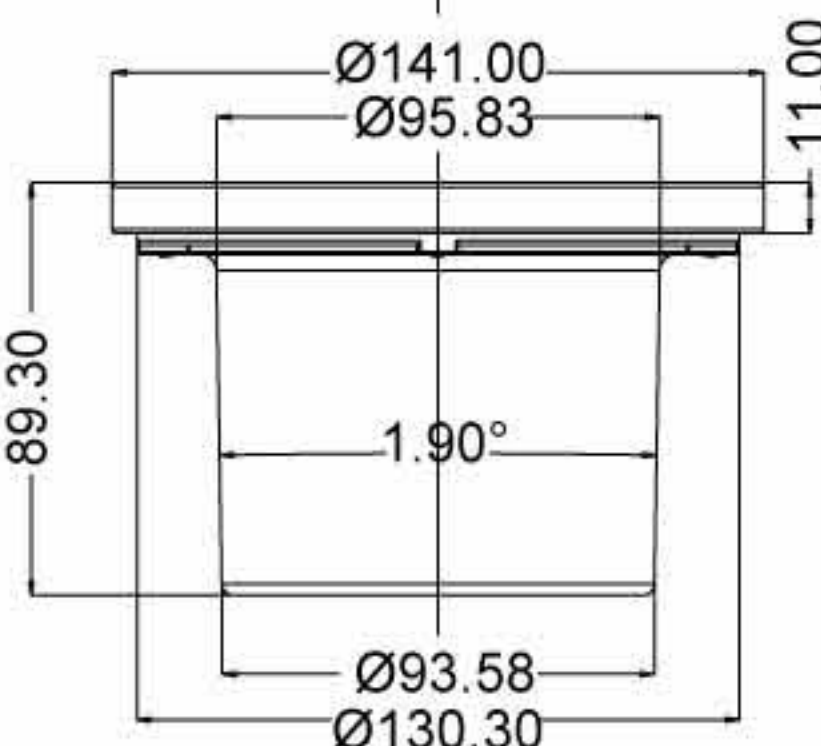
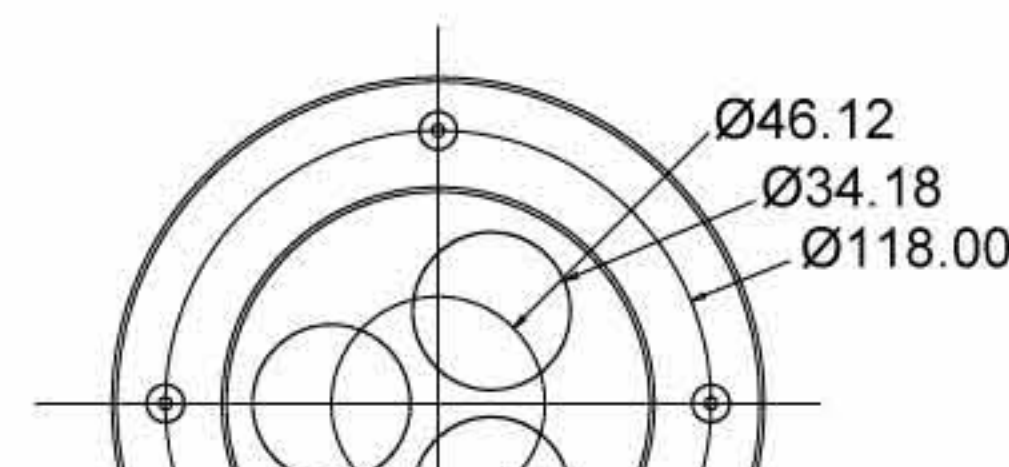
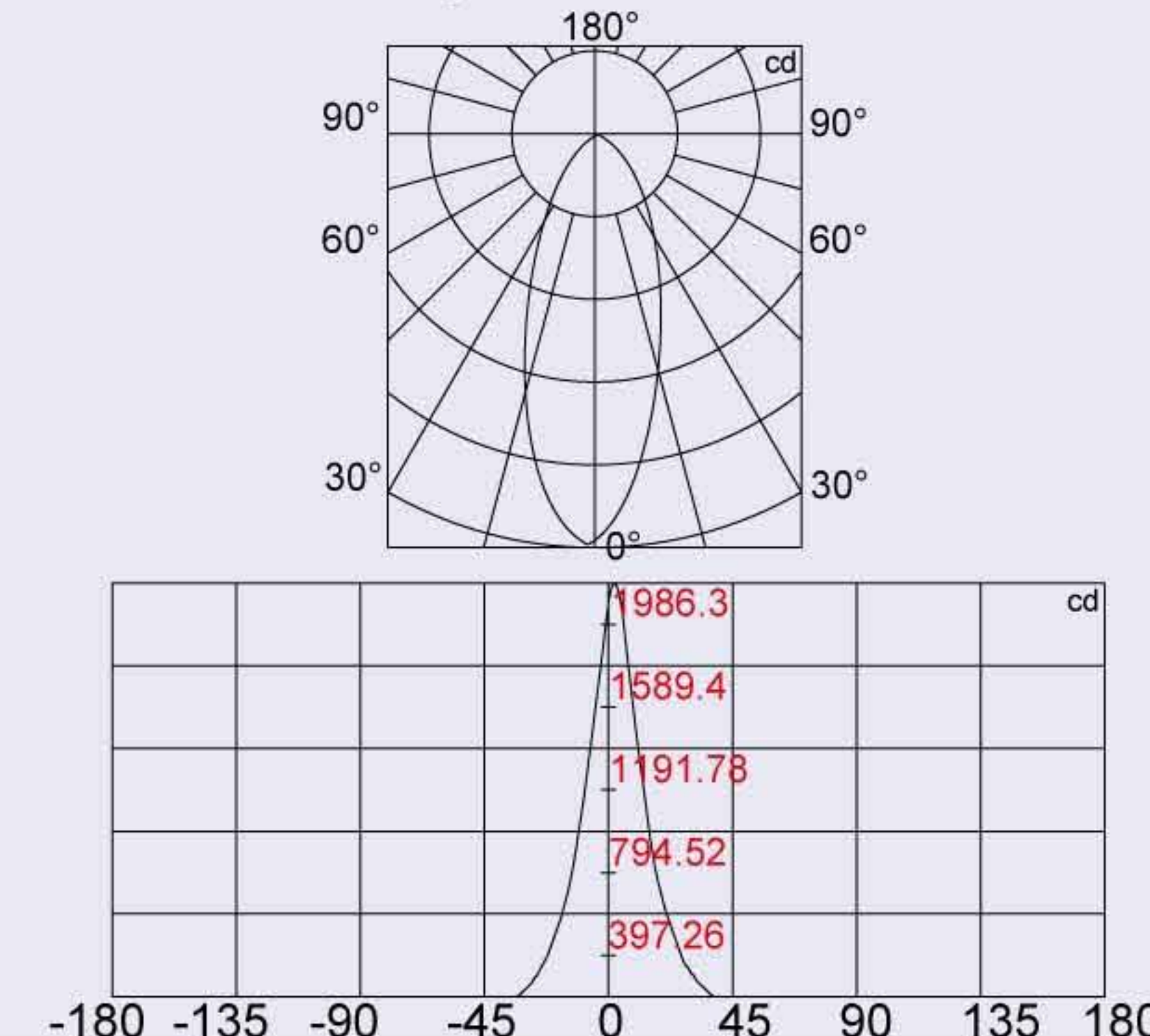
**35mm LENS**



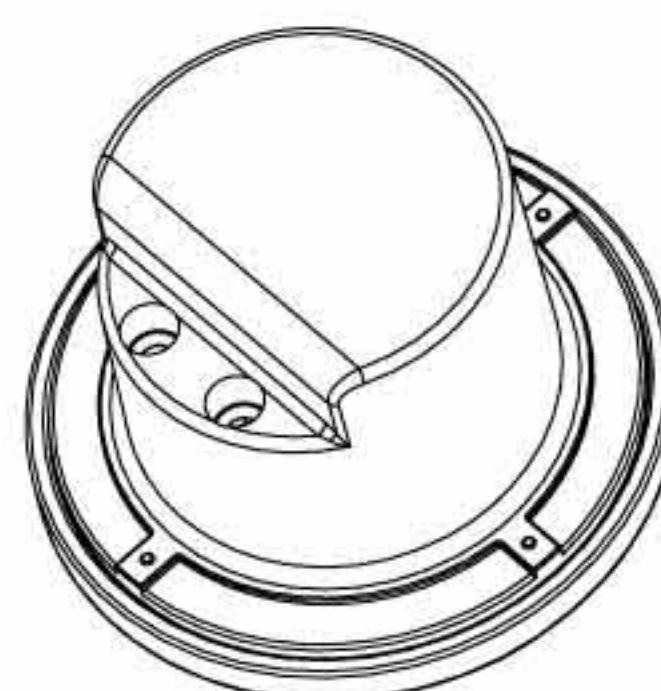
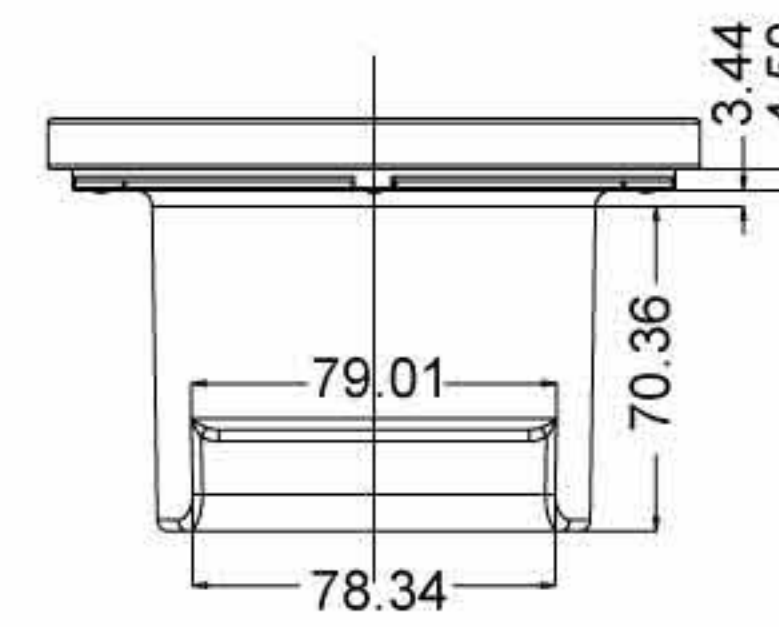
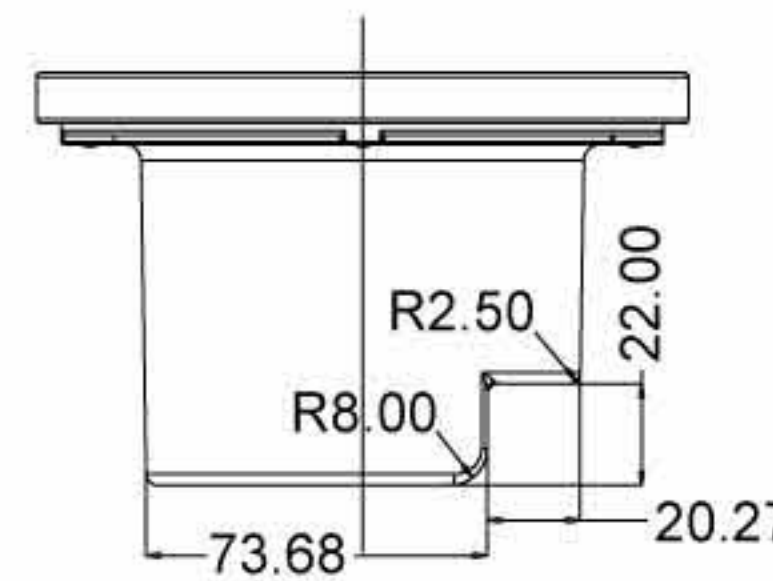
### Relative Intensity Distribution SPOT LENS



### Relative Intensity Distribution FLOOD LENS



CUT hole:  $\Phi 96 \times 77$ H( $\Phi 142 \times 13$ H)mm



**IP67**

**CE FC SGS ROHS**