

# In Ground Round Module 9x3W

LED www.LEDLINC.com



We use **LUXEON LED**

## Material & Character

Import Polycarbonate or ABS prismatic LENS, Aluminium alloy  
Suitable Place:  
Emporium hall, station, workshop, supermarket, warehouse and so on.

## Basic Information

Model No: IGCNE-2\_91\_L/H, IGCNE-2\_93\_L/H  
Weight : 2880g  
Dimension :  $\Phi 201 \times 93$ (H)mm  
Application :

Outdoor Commercial and Residential Architectural lighting

## Technical Information

Cap Base : In Ground Round Module  
LED Constant Current : 350mA, 700mA  
Watt(W): 1Wx9, 3Wx9  
Volt(V) : 90~240Vac & 24Vdc  
Line Frequency (Hz) : 50/60Hz  
Correlated Color Temperature(CCT): 4500K~8000K [White]  
Correlated Color Temperature(CCT): 3000K~3800K [WarmWhite]  
LED color: White, WarmWhite, R, G, B, Amber.....  
Illuminance : 20mm Spot 8854cd Flood 1850cd Lux/1m (27W)  
Housing Color: Stainless steel...  
LENS Material : PMMA  
Tc : 85°C max.  
Operational Temperature : 50°C max.

## LED Driver 350mA, 700mA Constant Current

H-TYPE: AC to DC, Constant Current Power Supply 40Watts(Max)

L-TYPE: DC to DC, Constant Current Power Supply 40Watts(Max)

Specifications :

H-TYPE: Input Range : 90~263Vac, 47Hz~63Hz

Input Current: 0.4A MAX, AT 115Vac & 230Vac, FULL LOAD

DC Output Range : MIN-12Vdc MAX-36Vdc (700mA)

L-TYPE: Input Range : 24Vdc

DC Output Range : MIN-12Vdc MAX-36Vdc (700mA)

Efficiency : 85% Typical at maximum load

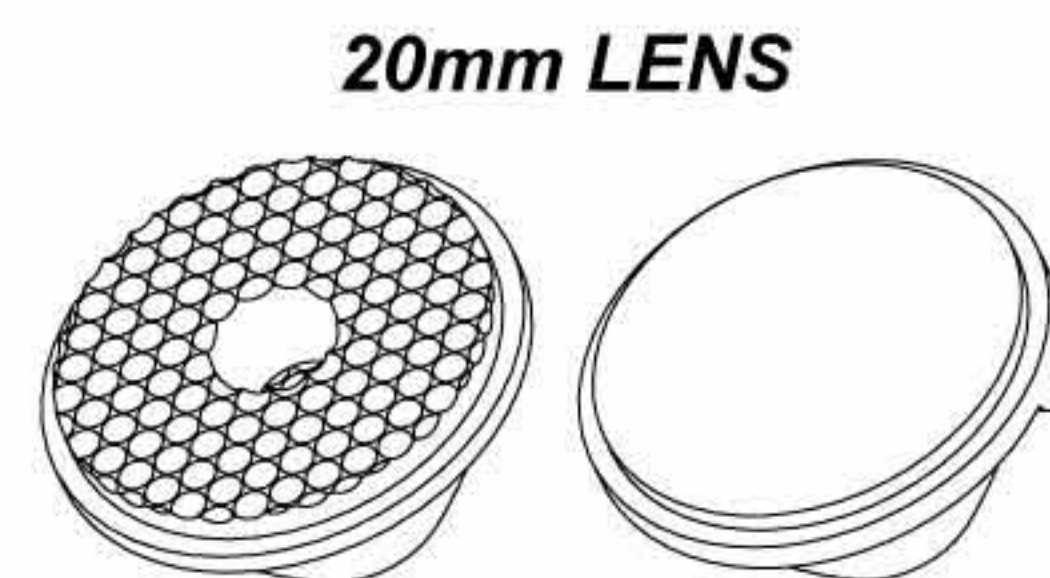
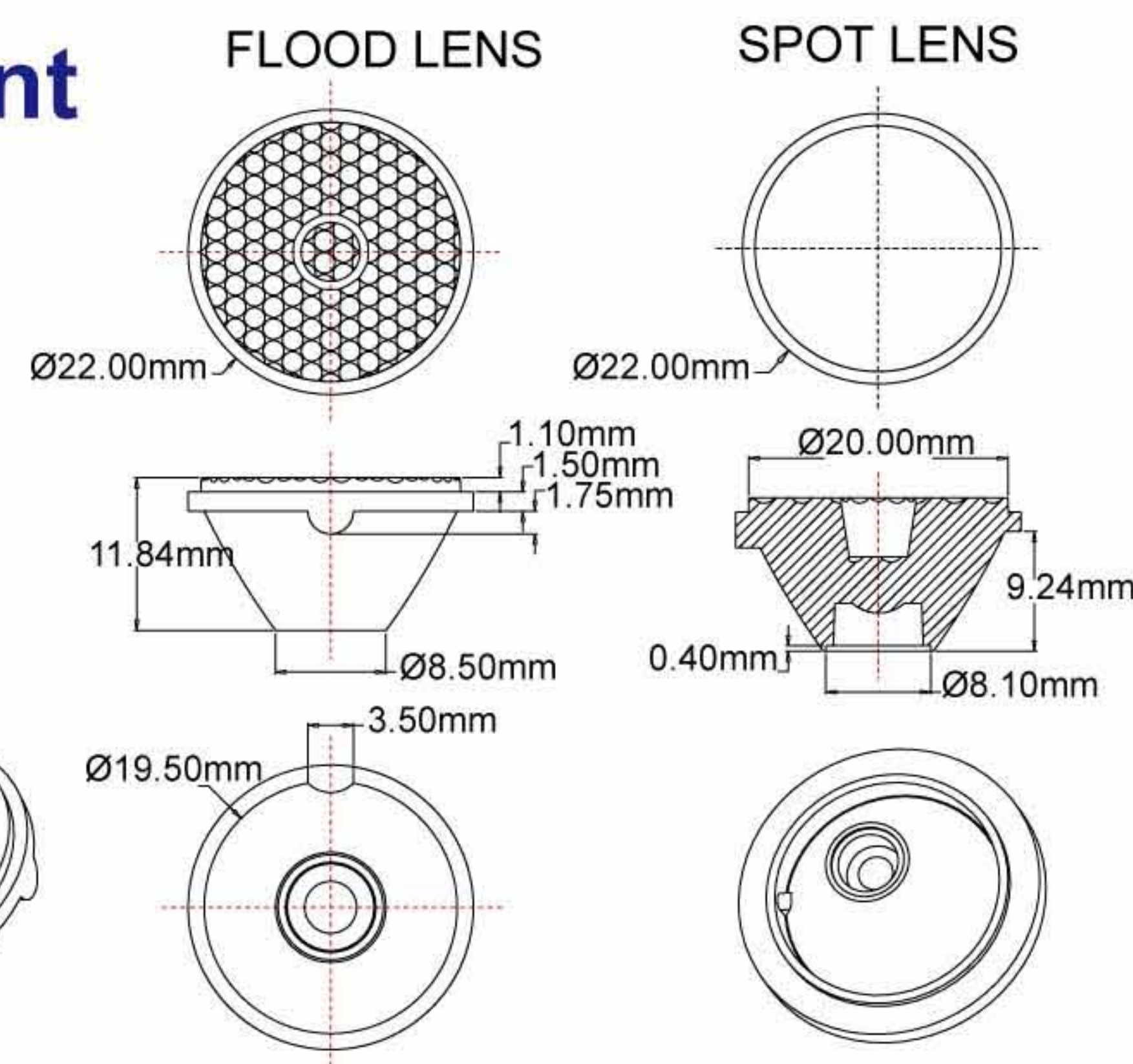
Output Current Regulation :  $\pm 5\%$

Protection : SCP - Auto Recovery

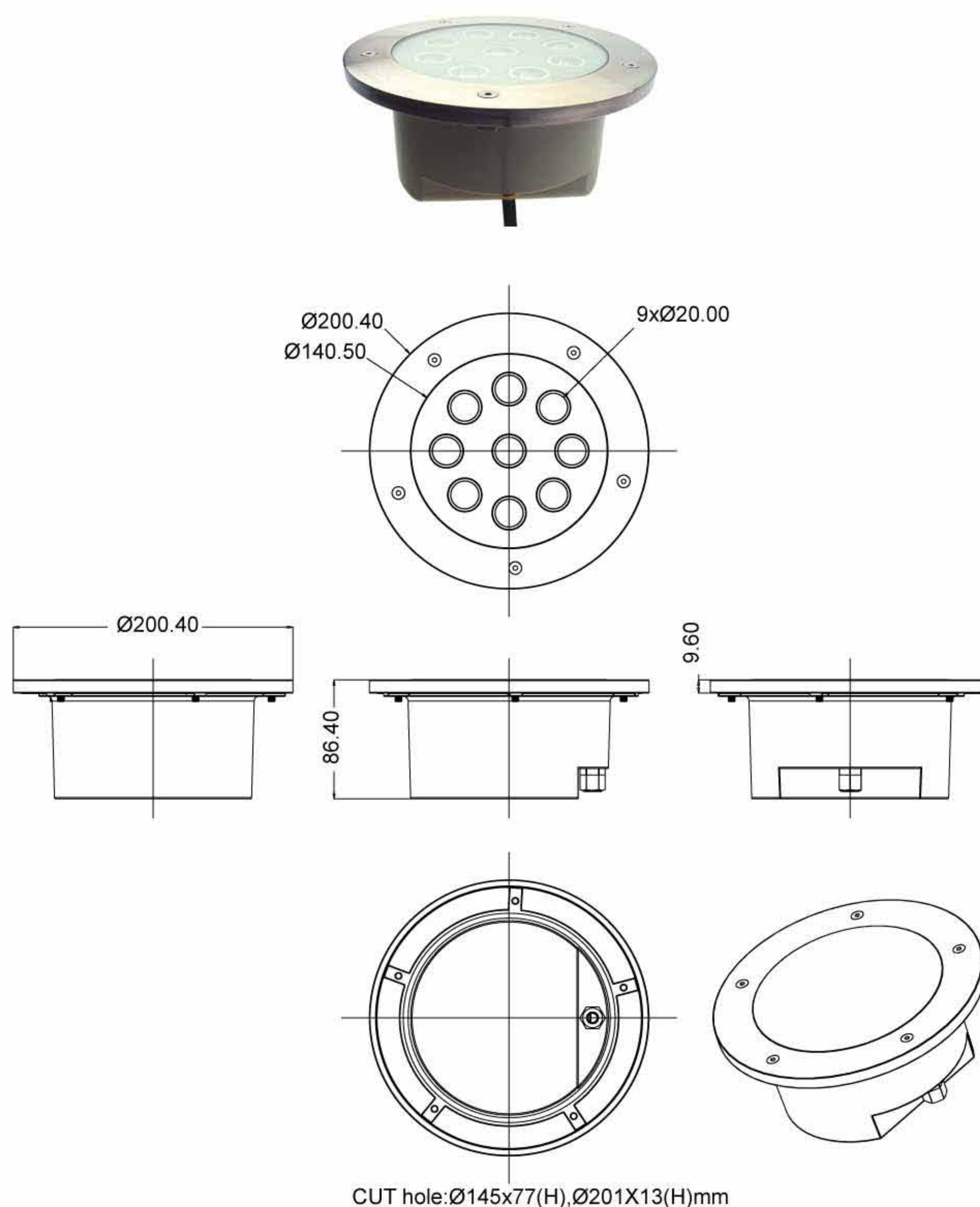
Operation Temp. : -20°C ~ +70°C

Storage Temp. : -40°C ~ +85°C

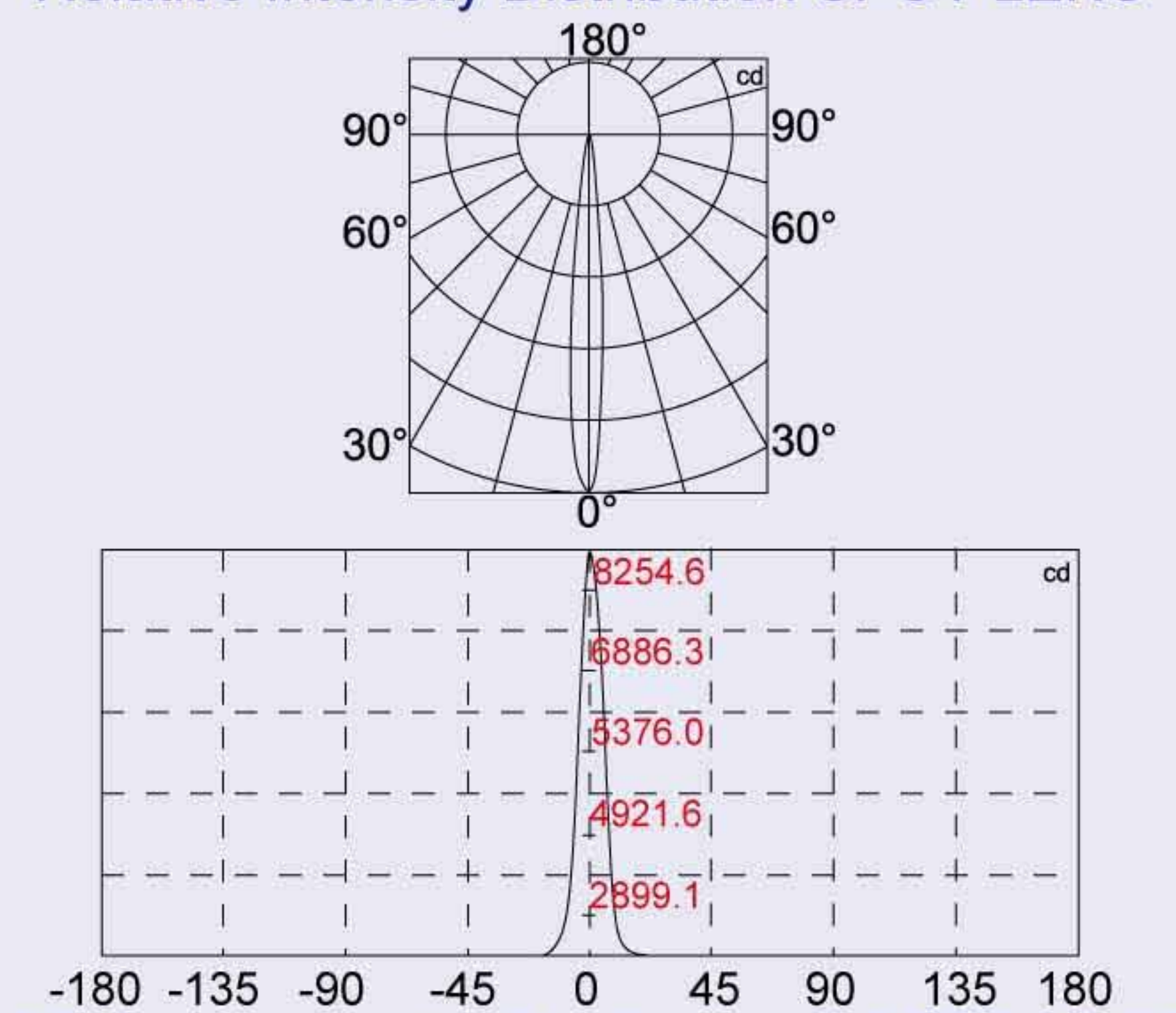
EMI Standards: 47CFR, Part 2, Part 15 and Cisp PUB, 22 Class B



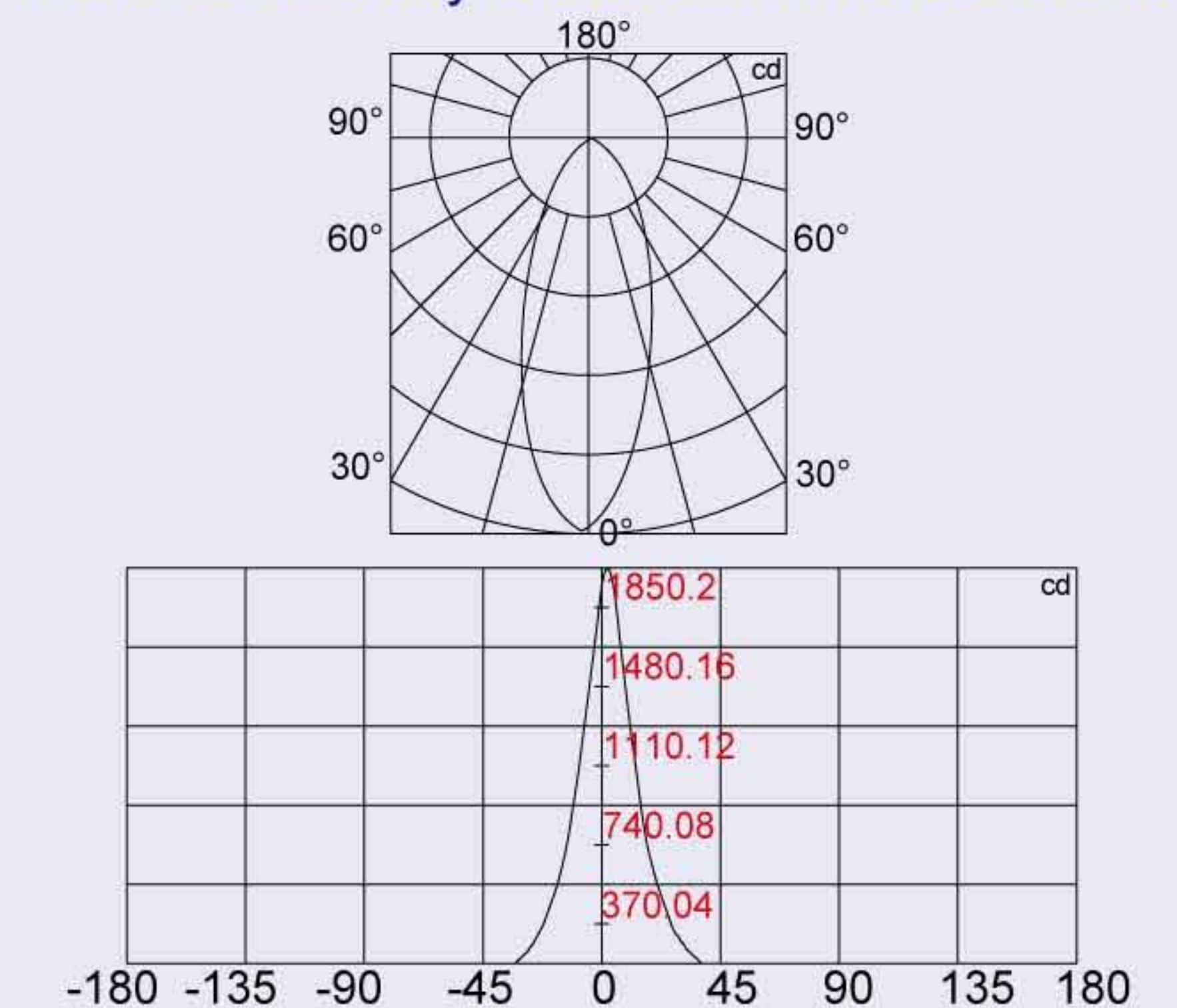
20mm LENS



## Relative Intensity Distribution SPOT LENS



## Relative Intensity Distribution FLOOD LENS



IP67

CE FC SGS ROHS