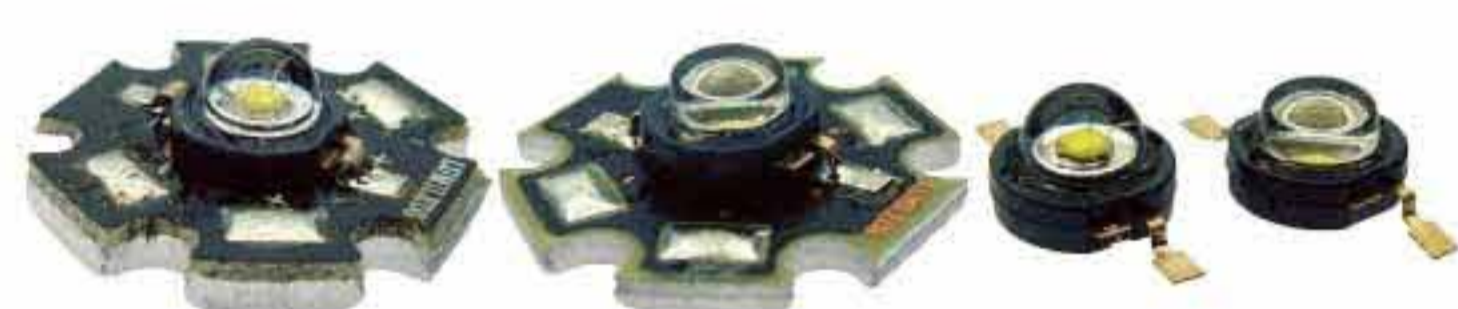


In Ground Round Module 3x3W

LED www.LEDLINC.com



We use LUXEON LED

Material & Character

Import Polycarbonate or ABS prismatic LENS ,Aluminium alloy

Suitable Place:

Emporium hall,station,workshop,supermarket,warehouse and so on.

Basic Information

Model No:IGCNE-3_31_L/H , IGCNE-3_33_L/H

Weight : 1400g

Dimension : $\Phi 143 \times 90$ (H)mm

Application :

Outdoor Commercial and Residential Architectural lighting

Technical Information

Cap Base :In Ground Round Module

LED Constant Current : 350mA , 700mA

Watt(W):1Wx3, 3Wx3

Volt(V) :90~240Vac & 24Vdc

Line Frequency (Hz) : 50/60Hz

Correlated Color Temperature(CCT):4500K~8000K [White]

Correlated Color Temperature(CCT):3000K~3800K [WarmWhite]

LED color:White,WarmWhite,R,G,B,Amber.....

Illuminance :30mm Spot 5460cd Flood 606cd Lux/1m (3W)

Housing Color:Stainless steel

LENS Material :PMMA

Tc : 85°C max.

OperationalTemperature : 50°C max.

LED Driver 350mA,700mA Constant Current

H-TYPE:AC to DC , Constant Current Power Supply 25Watts(Max)

L-TYPE:DC to DC , Constant Current Power Supply 24Watts(Max)

Specifications :

H-TYPE:Input Range : 90~263Vac, 47Hz~63Hz

Input Current:0.4A MAX,AT 115Vac & 230Vac,FULL LOAD

DC Output Range : MIN-12Vdc MAX-24Vdc (700mA)

L-TYPE: Input Range : 24Vdc

DC Output Range : MIN-12Vdc MAX-24Vdc (700mA)

Efficiency : 85% Typical at maximum load

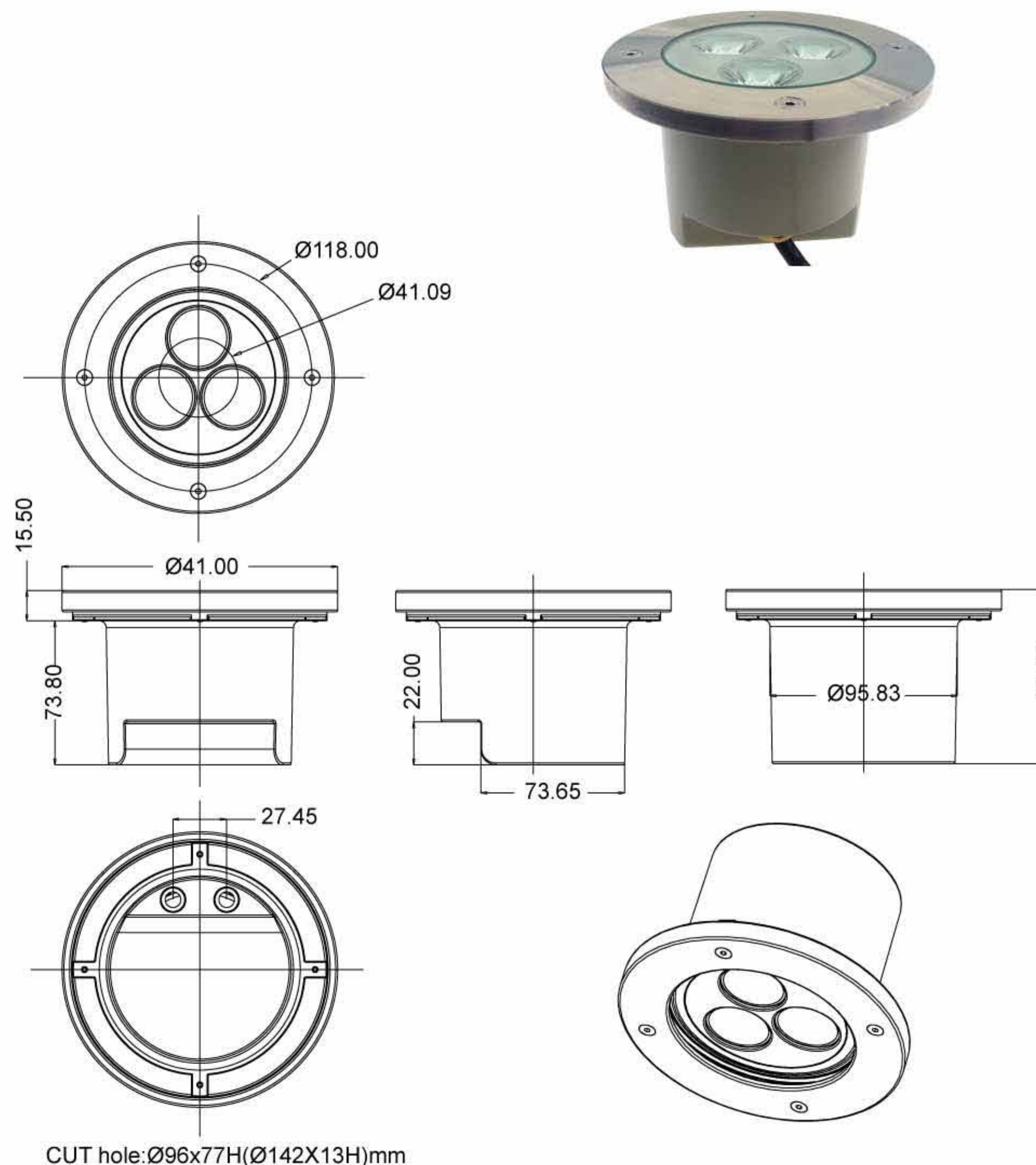
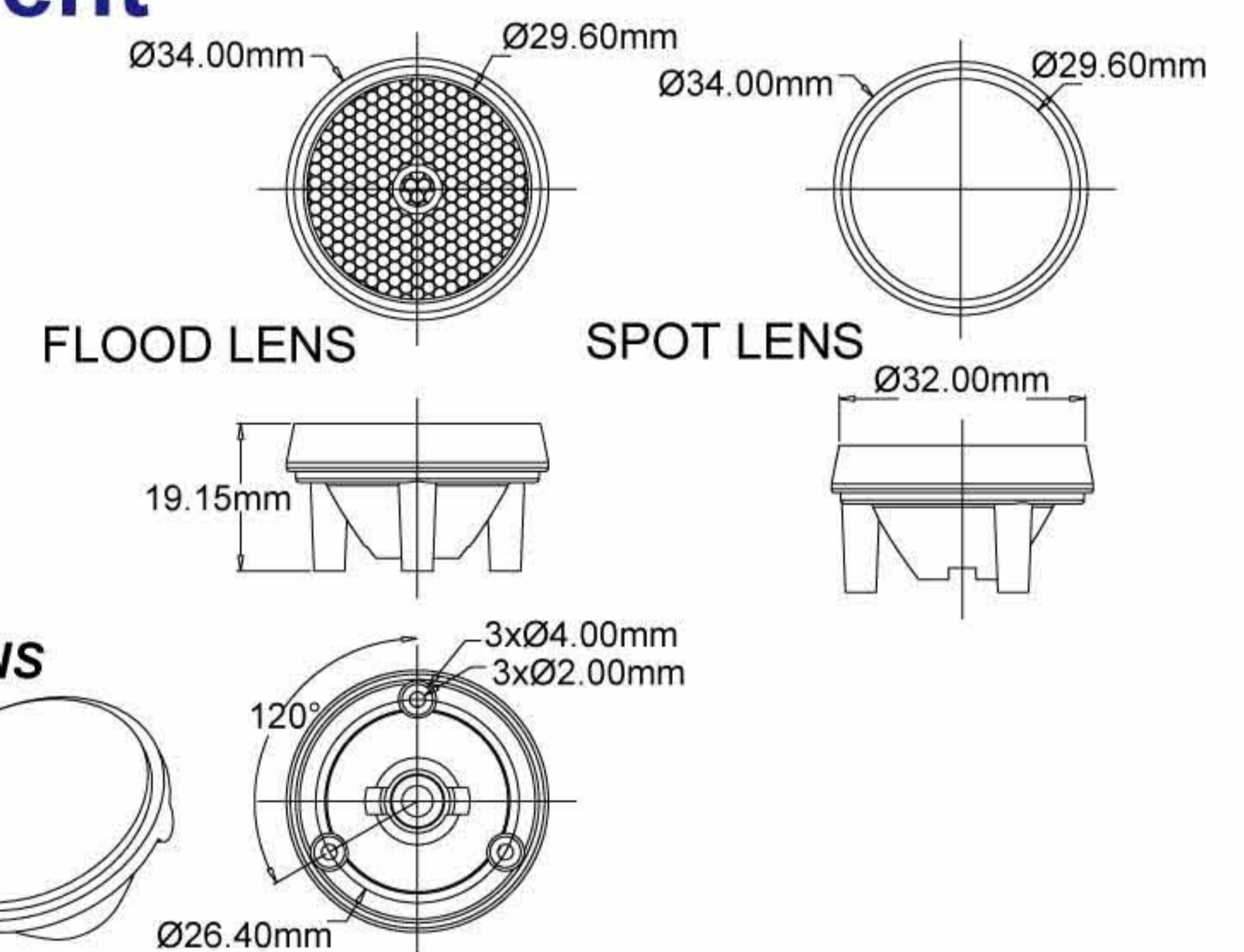
Output Current Regulation : $\pm 5\%$

Protection : SCP - Auto Recovery

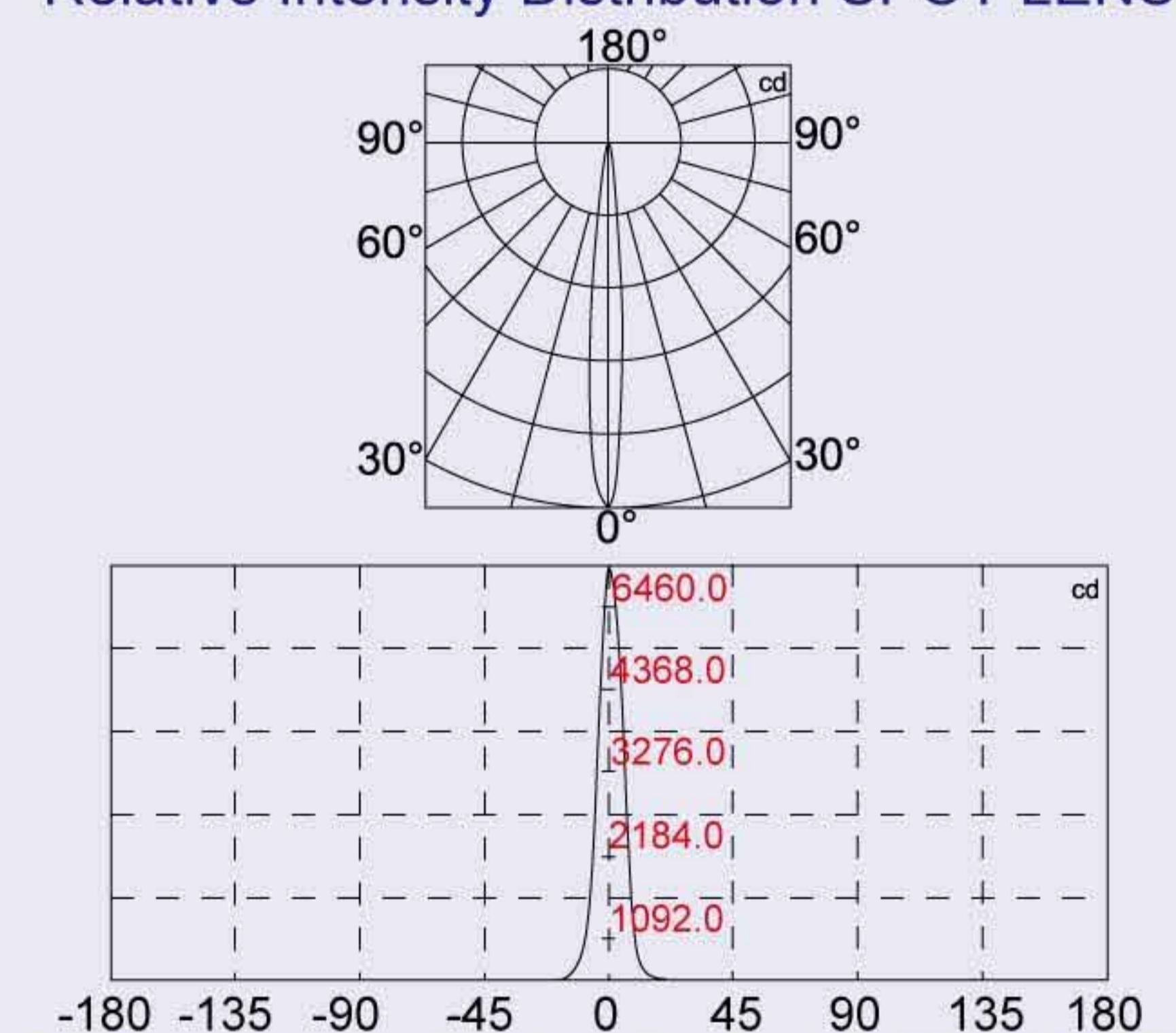
Operation Temp. : -20°C ~ +70°C

Storage Temp. : -40°C ~ +85°C

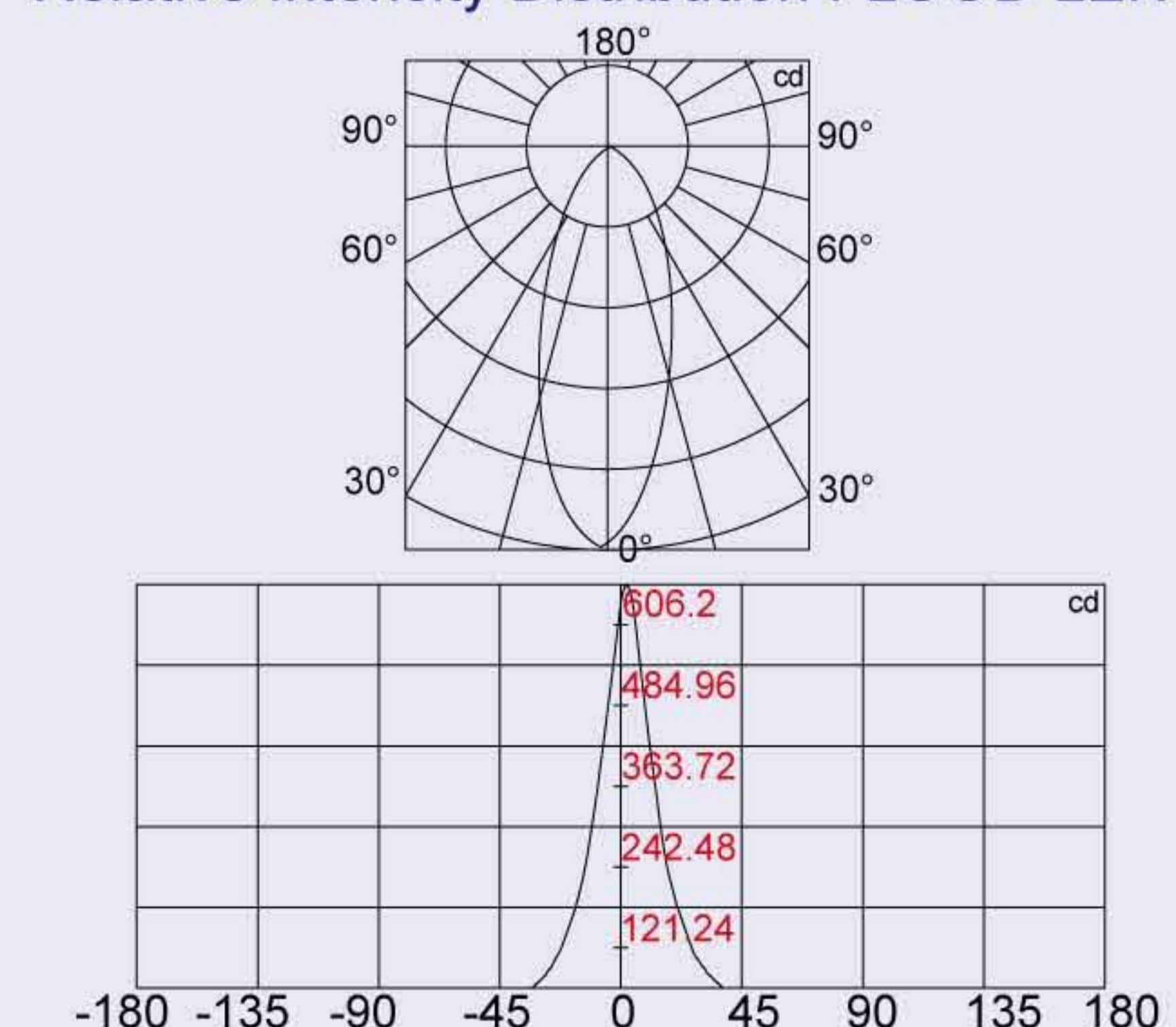
EMI Stantards: 47CFR, Part 2, Part 15 and Cispr PUB,22 Class B



Relative Intensity Distribution SPOT LENS



Relative Intensity Distribution FLOOD LENS



IP67

CE FC **SGS ROHS**