

In Ground Round Module 1x3W

Material & Character

Import Polycarbonate or ABS prismatic LENS ,Aluminium alloy
Suitable Place:
Emporium hall,station,workshop,supermarket,warehouse and so on.

Basic Information

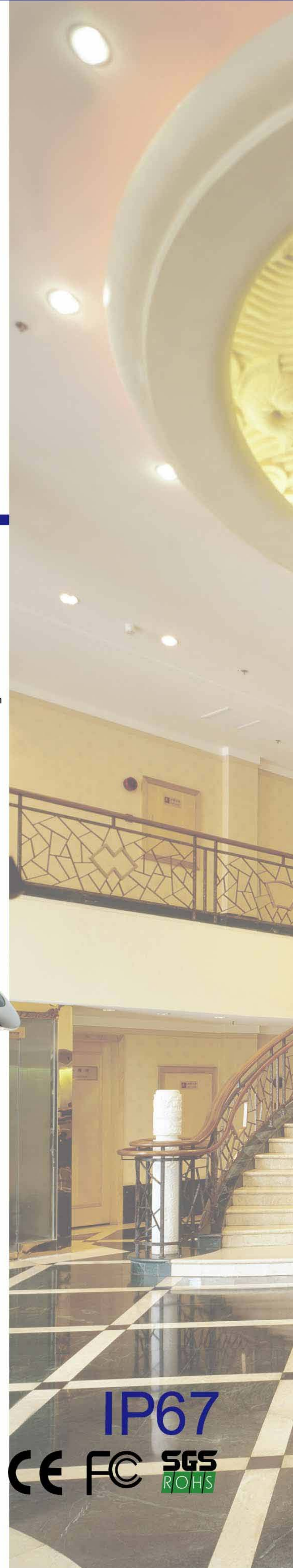
Model No:IGCNE-2_11_L , IGCNE-2_13_L
Weight : 205g
Dimension : $\Phi 45 \times \Phi 66 \text{mm} \times 83 \text{mm}$
Application :
Outdoor Commercial and Residential Architectural lighting

Technical Information

Cap Base :In Ground Round Module
LED Constant Current : 350mA , 700mA
Watt(W):1W , 3W
Volt(V) :12V (AC or DC)
Line Frequency (Hz) : 50/60Hz
Correlated Color Temperature(CCT):4500K~8000K [White]
Correlated Color Temperature(CCT):3000K~3800K [WarmWhite]
LED color:White,WarmWhite,R,G,B,Amber.....
Illuminance :20mm Spot 1227cd Flood 183cd Lux/1m (3W)
Housing Color:Black,Dark Silver(Stainless steel)....
LENS Material :PMMA
Tc : 85°C max.
OperationalTemperature : 50°C max.



We use LUXEON LED



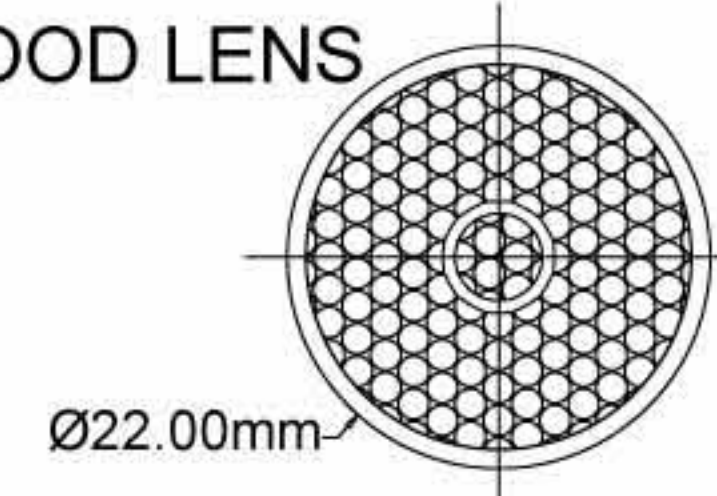
LED Driver 350mA,700mA Constant Current

AC/DC to DC , Constant Current Power Supply 3 Watts
AC/DC to DC , Constant Current Power Supply 1.2Watts

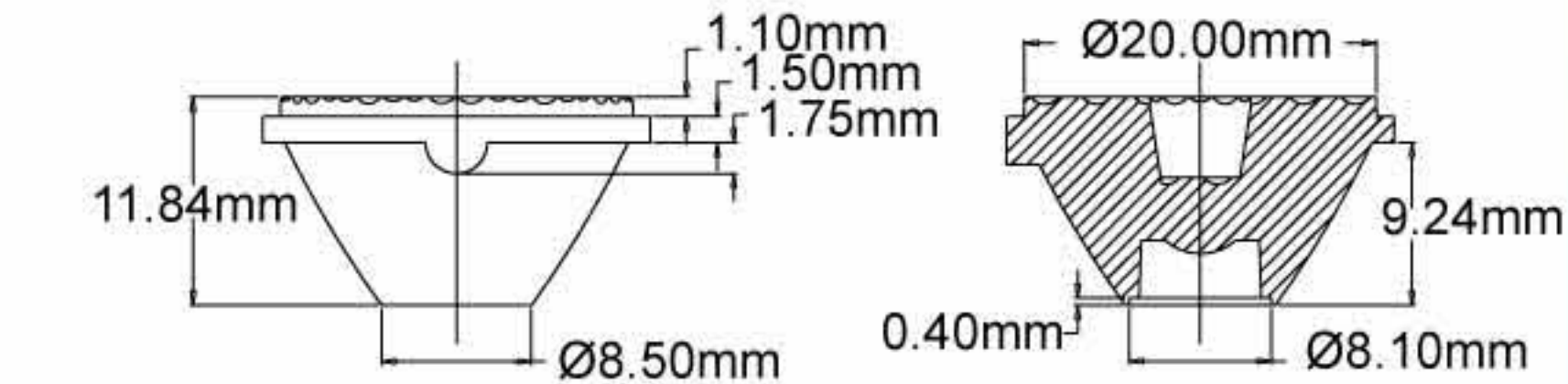
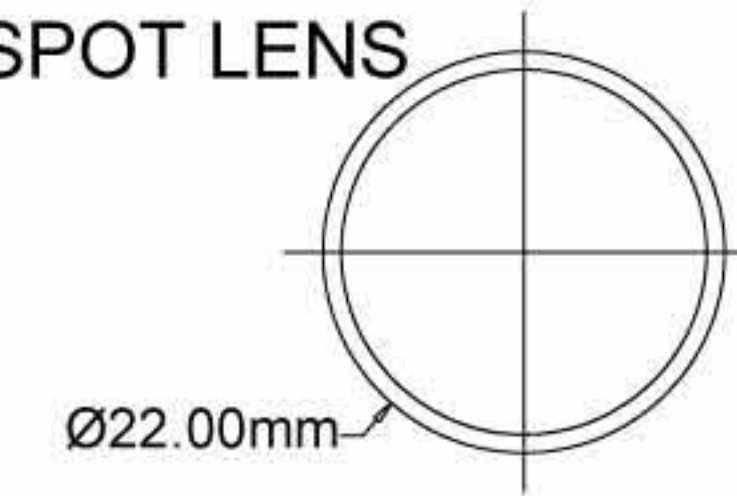
Specifications :

Input Range : 10~15Vac,Vdc / 50Hz~50KHz
Crest factor (Ipk):1.5Max
Line THD:<20%
DC Output Range : 2 ~ 4.5Vdc
Efficiency : 85% Typical
Output Current Regulation : $\pm 5\%$
Protection : SCP - Auto Recovery
Operation Temp. : -20°C ~ +70°C
Storage Temp. : -40°C ~ +85°C
EMI EN55022 B , EN55015 B , CE

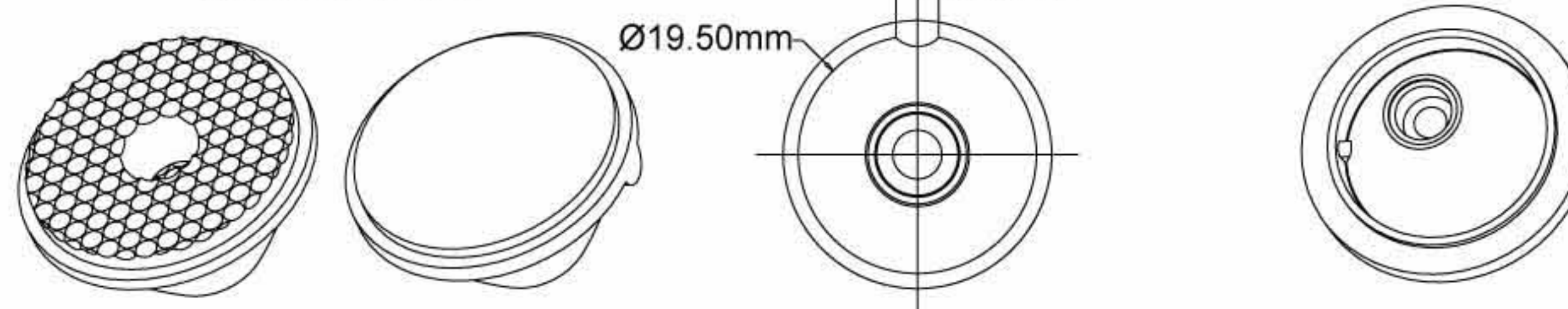
FLOOD LENS



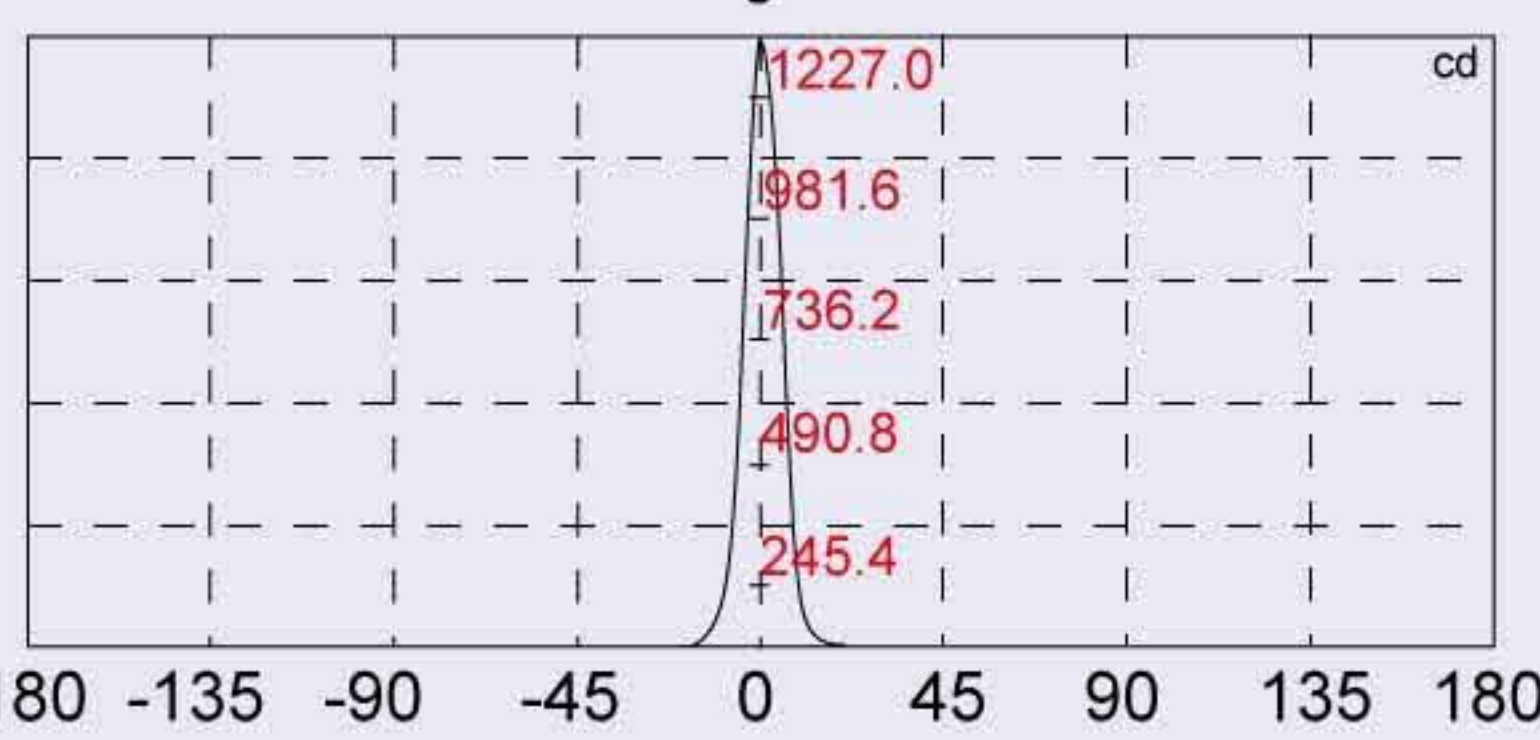
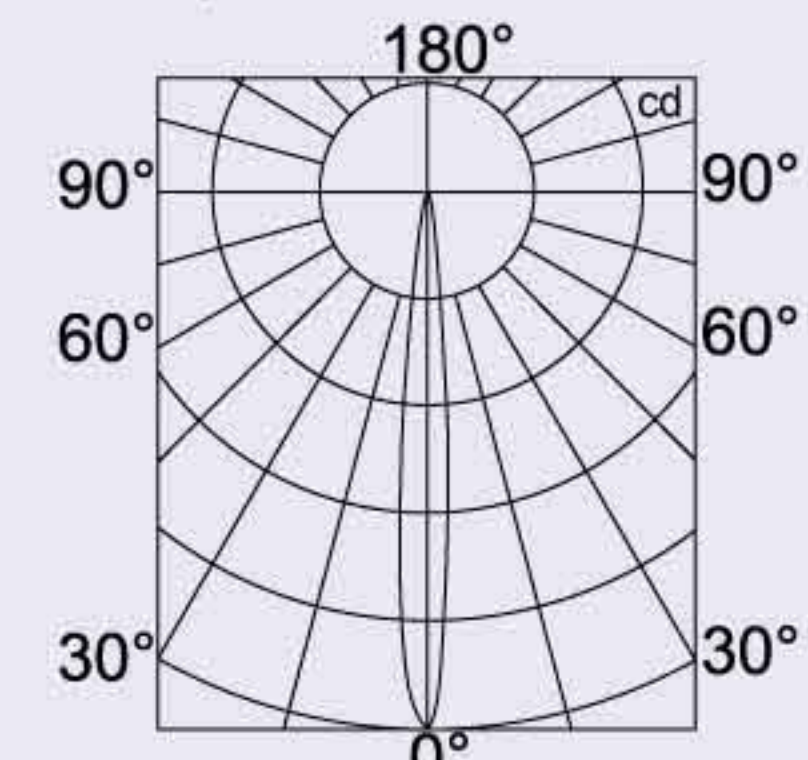
SPOT LENS



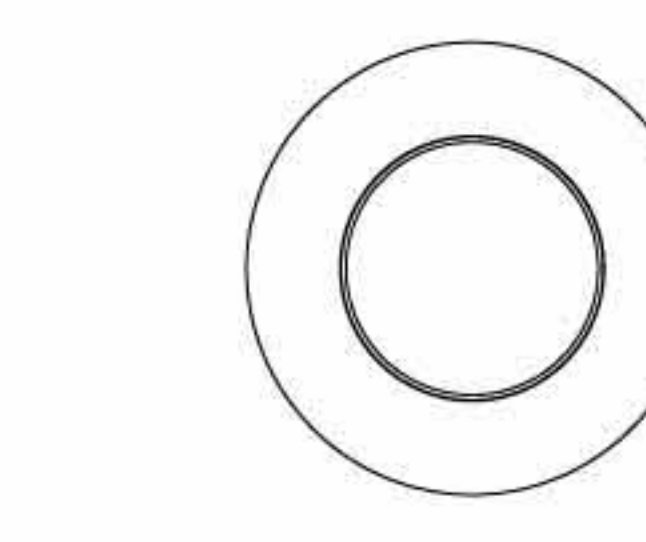
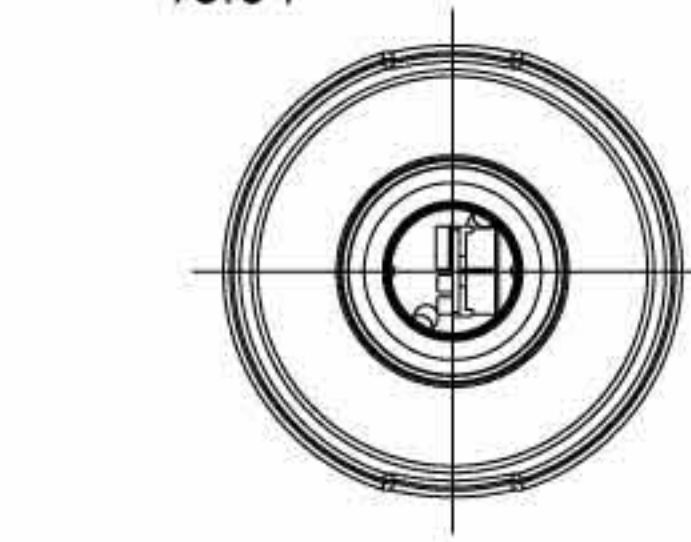
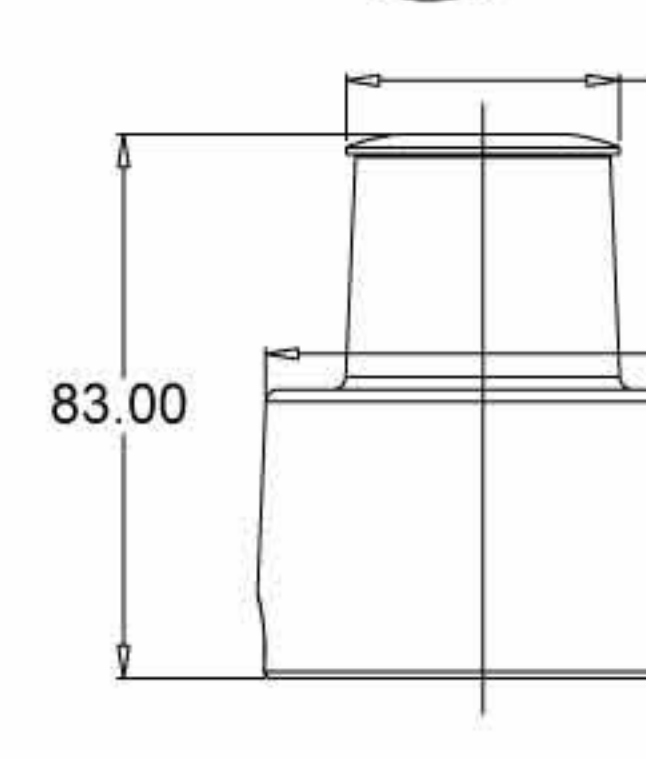
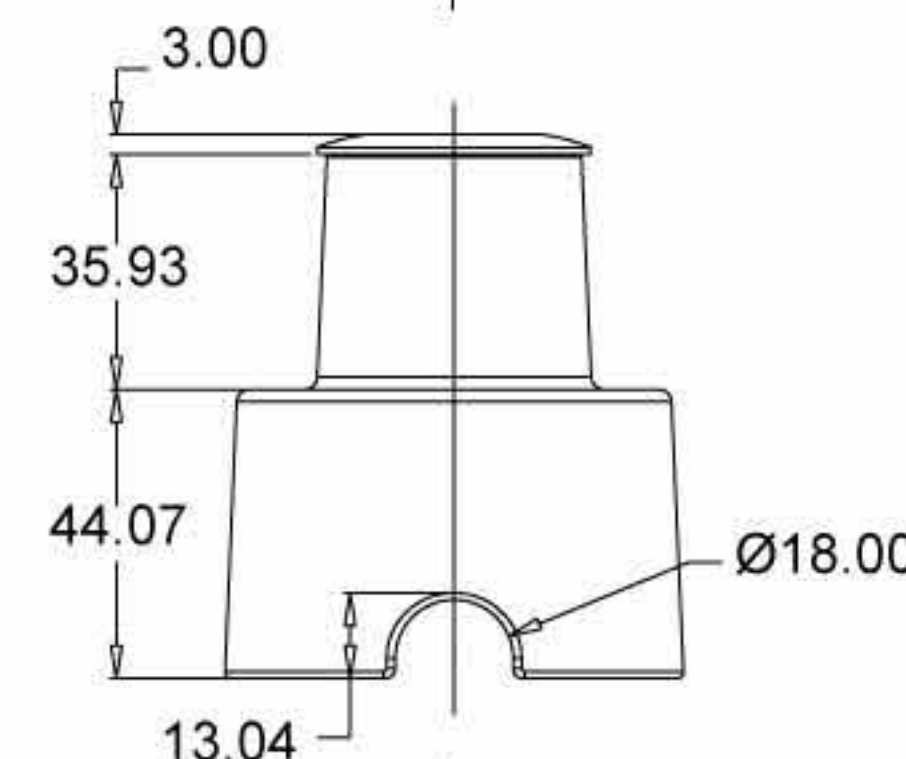
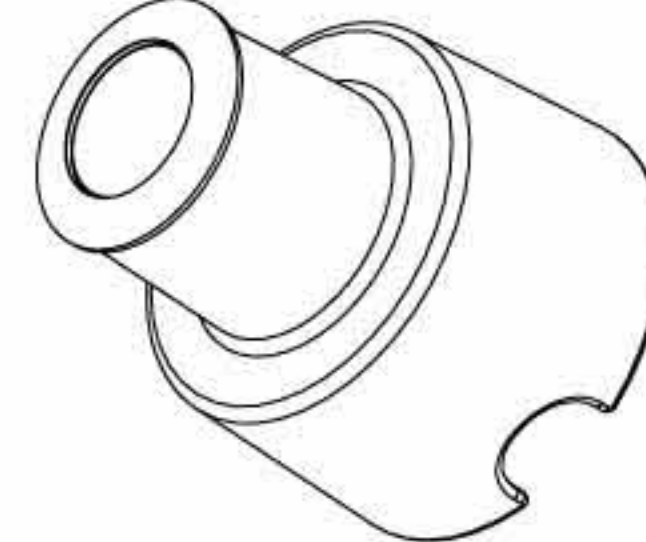
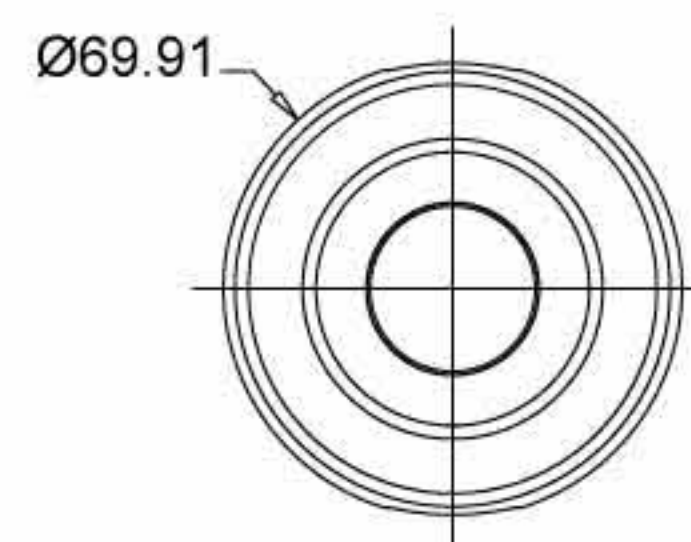
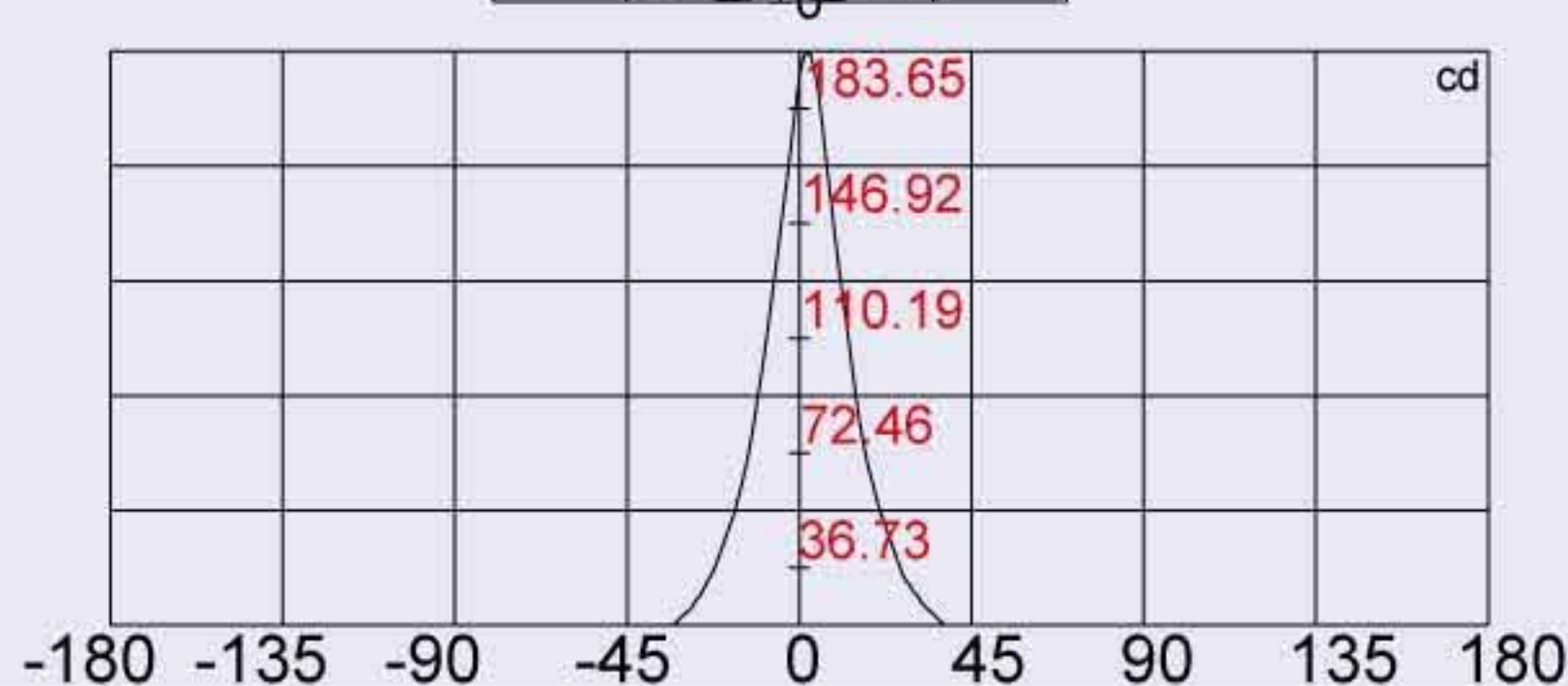
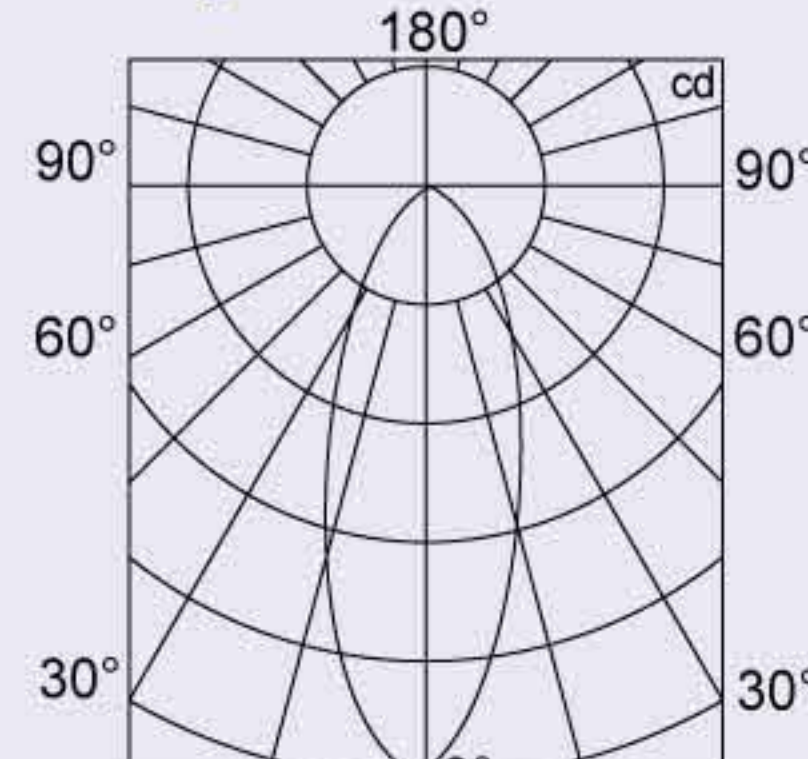
20mm LENS



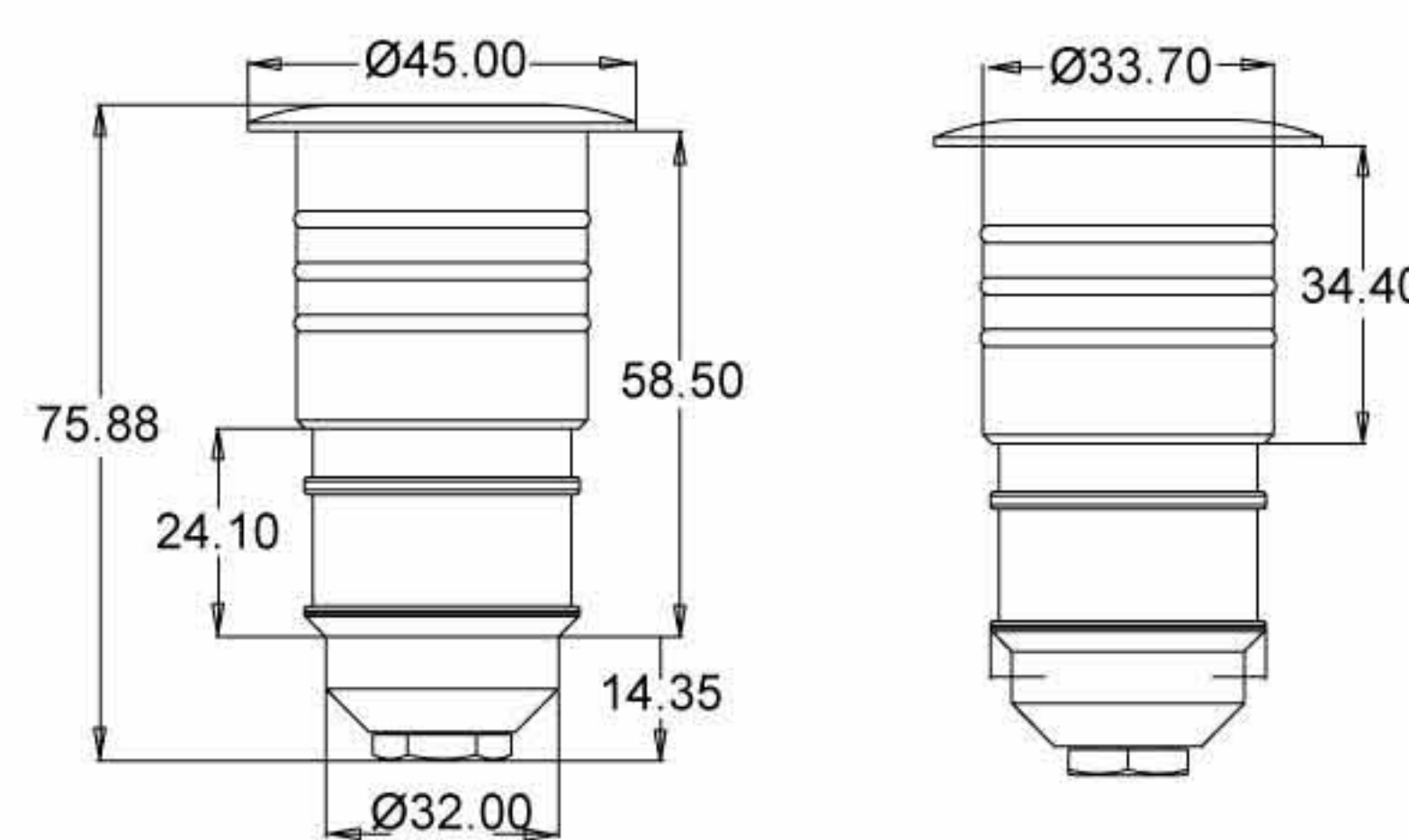
Relative Intensity Distribution SPOT LENS



Relative Intensity Distribution FLOOD LENS



CUT hole: $\Phi 42 \times \Phi 68 \times 85 \text{(H)} \text{mm}$



IP67
CE FC SGS ROHS