

Garden In-Ground Series

High Intensity LED Light Fixture

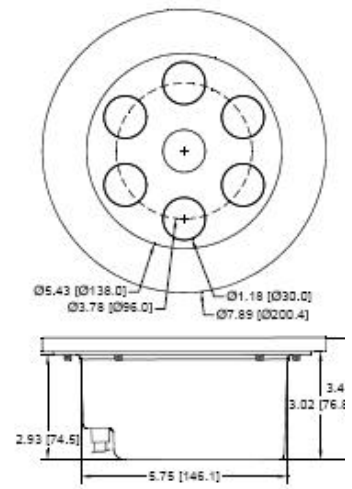


These are the latest Solid State Lighting Fixtures, designed for Garden and in-ground applications. These fixtures adopt the most advanced high intensity LEDs in a die cast aluminum enclosure that meet the industry requirements for garden and in-ground applications. The fixtures use the industry standard base, which works with all of the existing accessories available in the marketplace. The built-in state of the art Constant Current LED Driver (power supply) enhances the consistency of LED color temperature and life expectancy, as well as its known benefit of energy conservation and durability for years of maintenance free usage. Three types of our patented lens options provide light output angles from 10, 20 or 36 degrees.

Mechanical Specifications:

Electrical Specification:

Input	110-240VAC, 47/64Hz or 24VAC or 24VDC
Power Consumption	9 x 3W LED - 28.8-Watts typ. 6 x 3W LED - 19.2-Watts typ.
Efficiency	90% typ.
THD	.80
Crest Factor	1.5 max.
VF	9 LED, 31.5-36VDC 6 LED, 21.0 - 24VDC
Forward Current	3W LED - 700mA typ. 1W LED - 350mA typ.



Model Selection:

G	2	3	3	4	-	5	6	6	7	8	-	x	x
G	In Ground/Garden												
2 - Enclosure Shape	(R) ound / (S) quare												
3 - Number of LED	Number of LED												
4 - Input voltage options	(H) -AC110 / (A) -AC24 / (D) -DC24												
5 - Power of LED	(1) -Watt / (3) -Watts												
6 - Lens Size	20 / 30												
7 - Lens Type	(S) pot / (F) lood												
8 - LED Color	(W) hite / (R) ed / (B) lue / (G) reen												
9 - Frame Color	(B) eige												
10 - Reserved	Reserved												

