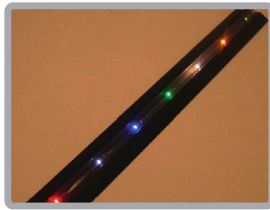


|             |  |      |
|-------------|--|------|
| Catalog #   |  | Type |
| Projects    |  |      |
| Comments    |  | Date |
| Prepared By |  |      |

LED's **STADIA LITE 2000™** is an Americans with Disabilities Act (ADA) compliant guide and aisle light product specifically designed to give clear, even illumination along pathways, edgeways, and theater aisles. With a great selection of colors and available spacing ranging from 1.5" to 12" (O/C), you can have the ability to create the look you want. The tedious maintenance issues will become a thing of the past with our easy to install two-part extrusion.

**STADIA LITE 2000™** "Guide Lighting" Series is a 12VAC or DC linear LED system. It consists of parallel wired and surface mounted LEDs with one resistor per LED, then mounted to a miniature wedge-based replaceable circuit board, inserted into clear polycarbonate horizontal sockets spaced from 1.5" to 12" (O/C), mounted SPT-1, 18 gauge X@ strand tinned copper conductor. LED's **STADIA LITE 2000™** "Guide Lighting" Series operates at 12 volts AC (standard) or DC (specified at the time of order) as a single circuit with a maximum load not to exceed 5 amps per circuit at 12V AC, as required by NEC Class II regulations!



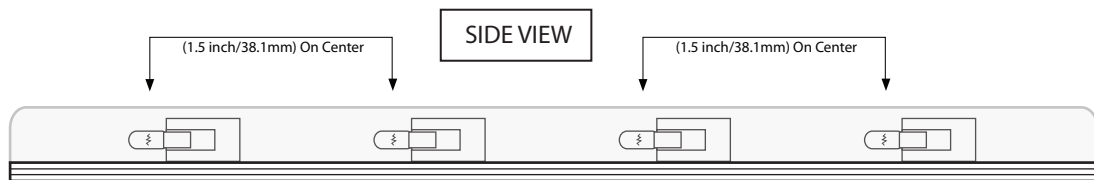
**FEATURES:**

- Low profile extrusions meet all ADA requirements
- Long life LEDs eliminate maintenance and replacement expenses
- Low power consumption; uses less than 1 watt per foot
- AC operation allows runs of up to 425 LEDs
- Wide viewing angle for even light distribution
- Easily mounts to floors with extrusions designed to tuck in carpet
- Save time with our installation and maintenance friendly design
- Conventional design provides the ability to add a dimmer
- Parallel wiring eliminates series outages
- Heavy duty PVC and Polycarbonate construction
- Vibration resistant for rough service areas

**APPLICATIONS:**

- Theaters
- Schools
- Arenas
- Auditoriums
- Hotels
- Casinos
- Restaurants
- Bars

**DIAGRAMS:**



**Ordering Information:**

|               |                |   |  |   |
|---------------|----------------|---|--|---|
| <b>SL2</b>    |                |   |  |   |
| <b>Series</b> | <b>Voltage</b> | <b>Spacing</b>  | <b>Color</b>   | <b>Length</b>   |
|               | 12VAC          | 1.5" O/C<br>2" O/C<br>3" O/C<br>4" O/C<br>6" O/C<br>12" O/C<br><small>*Custom Spacing Available</small> | A (Amber)<br>R (Red)<br>B (Blue)<br>G (Green)<br>W (White)<br>WW (Warm White)<br><small>*Custom Colors Available</small> | Linear Feet<br>Required<br><small>(*425 LED's Max Run)<br/>*Custom Length Available</small> |




**Ordering Example: SL2-12VAC-2-WW-425**

|             |  |      |
|-------------|--|------|
| Catalog #   |  | Type |
| Projects    |  |      |
| Comments    |  | Date |
| Prepared By |  |      |

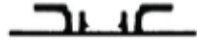
| LED OPTICAL CHARACTERISTICS |            |                      |            |         |
|-----------------------------|------------|----------------------|------------|---------|
| LAMP PART #                 | COLOR      | DOMINANT WAVE LENGTH | VIEW ANGLE | WATTAGE |
| CBS-A                       | AMBER      | 591nm                | 120°       | 0.12W   |
| CBS-B                       | BLUE       | 465nm                | 115°       | 0.12W   |
| CBS-G                       | GREEN      | 520nm                | 115°       | 0.12W   |
| CBS-R                       | RED        | 624nm                | 120°       | 0.12W   |
| CBS-W                       | WHITE      | (5000K)              | 110°       | 0.12W   |
| CBS-WW                      | WARM WHITE | (3000-3500K)         | 110°       | 0.12W   |

DIAGRAMS (Continued):


### EXTRUSIONS




**Carpet to Floor**  
E-ECF3-8  
2.8" Wide




**Carpet to Carpet**  
E-ECC-8  
3.1" Wide




**Carpet to Wall**  
E-ECW3-8  
2.0" Wide




**PVC Shield Flat**  
E-PS3F-8-C  
0.9" Wide




**Carpet to Floor Reducer**  
E-FR  
1.0" Wide



**U Channel Extrusion**  
E-EUC-8  
0.9" Wide

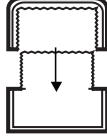


**PVC Shield Round Prismatic**  
E-PS1-R-8-C  
0.75" Wide



**2 Part Snap**  
E-ECS-6  
0.5" Square

E-ECS-6  
2 Part Clear Snap



Male & Female  
Bi-pin  
Connectors

